

TWH 300 S / TWH 500 S

EN

INSTRUCTIONS
HEATED TOWEL RAIL

EN This product is only suitable for well insulated spaces or occasional use.

 **TROTEC**

Table of contents

Information on the use of these instructions 2

Safety 2

Information about the device..... 4

Transport and storage..... 6

Assembly and start-up 6

Operation 9

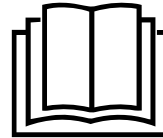
Errors and faults..... 13

Maintenance 14

Technical annex..... 15

Disposal 17

You can download the current version of these instructions via the following link:



TWH 300 S



<https://hub.trotec.com/?id=47559>

TWH 500 S



<https://hub.trotec.com/?id=47560>

Information on the use of these instructions

Symbols



Warning

This signal word indicates a hazard with an average risk level which, if not avoided, can result in serious injury or death.



Warning of electrical voltage

This symbol indicates dangers to the life and health of persons due to electrical voltage.

Notice

This signal word indicates important information (e.g. material damage), but does not indicate hazards.



Info

Information marked with this symbol helps you to carry out your tasks quickly and safely.



Follow the manual

Information marked with this symbol indicates that the instructions must be observed.

Safety

Read this manual carefully before starting or using the device. Always store the manual in the immediate vicinity of the device or its site of use.



Warning

Read all safety warnings and all instructions.

Failure to follow the warnings and instructions may result in electric shock, fire and/or serious injury.

Save all warnings and instructions for future reference.

This appliance can be used by children aged from 8 years and above and persons with reduced physical, sensory or mental capabilities or lack of experience and knowledge if they have been given supervision or instruction concerning use of the appliance in a safe way and understand the hazards involved.

Children shall not play with the appliance. Cleaning and user maintenance shall not be done by children without supervision.



Warning

Children of less than 3 years should be kept away from the device unless continuously supervised.

Children aged from 3 years and less than 8 years shall only switch on/off the appliance provided that it has been placed or installed in its intended normal operating position and they have been given supervision or instruction concerning use of the appliance in a safe way and understand the hazards involved.

Children aged from 3 years and less than 8 years shall not plug in, regulate and clean the appliance or perform user maintenance.

- Do not use the device in potentially explosive rooms or areas and do not install it there.
- Do not use the device in an aggressive atmosphere.
- Do not expose the device to directly squirting water.
- Do not remove any safety signs, stickers or labels from the device. Keep all safety signs, stickers and labels in legible condition.
- Do not sit on the device.
- This appliance is not a toy. Keep away from children and animals.
- Check accessories and connection parts for possible damage prior to every use of the device. Do not use any defective devices or device parts.
- Ensure that all electric cables outside of the device are protected from damage (e.g. caused by animals). Never use the device if electric cables or the power connection are damaged!
- The mains connection must correspond to the specifications in the Technical annex.
- Insert the mains plug into a properly fused mains socket.
- Observe the device's power input, cable length and intended use when selecting extensions to the power cable. Completely unroll extension cables. Avoid electrical overload.
- Before carrying out maintenance, care or repair work on the device, remove the mains plug from the mains socket. Hold onto the mains plug while doing so.
- Switch the device off and disconnect the power cable from the mains socket when the device is not in use.
- Do not under any circumstances use the device if you detect damages on the mains plug or power cable. If the supply cord is damaged, it must be replaced by a special cord or assembly available from the manufacturer or its service agent.
Defective power cables pose a serious health risk!
- When installing the device, observe the minimum distances from walls and other objects as well as the storage and operating conditions according to the technical data (chapter Technical annex).
- Only use original spare parts, for otherwise safe and functional operation cannot be ensured.
- Allow the device to cool down before transport and/or maintenance work.
- Do not use the device if it has been dropped or if it shows visible signs of damage.

Intended use

The device is only suitable for well insulated spaces or occasional use.

The device serves the purpose of heating and drying towels in closed rooms. It was designed for private usage and is not suited for commercial use. The device is especially suitable as an additional heating and is exclusively intended for wall mounting in wet rooms.

Reasonably foreseeable misuse

- Do not use this device in the vicinity of fuel, solvents, varnishes or other easily inflammable vapours or in rooms where these substances are stored.
- Do not use outdoors.
- The device is intended solely for the use in a wall-mounted position. Any use in a different position is deemed as a misuse and may bring about damage or hazards.
- Do not use the device for heating vehicles.
- Do not mount the device above flammable surfaces.
- Never immerse the device in water.
- Do not make any unauthorised modifications, alterations or structural changes to the device.
- Do not use the device to hang up any other objects but towels.
- This radiator must be set up in a way that the switches and controllers cannot be touched by a person in a bathtub, pool or shower.

Personnel qualification

People who use this device must:

- have read and understood the instructions, especially the Safety chapter.
- for mounting the device, have basic knowledge in the field of installation work

Installation and maintenance work on the electrical system must only be carried out by a qualified electrician.

Residual risks



Warning of electrical voltage

Work on the electrical components must only be carried out by an authorised specialist company!



Warning

If you drink the water glycol mixture, you may be poisoned! The water glycol mixture is in the heating elements. Never open the screw at the top of the heating element! Never drink the water / glycol mixture!



Warning

Improper handling entails a risk of burning and electric shock.



Only use the device as intended!



Warning

Dangers can occur at the device when it is used by untrained people in an unprofessional or improper way! Observe the personnel qualifications!

Behaviour in the event of an emergency

1. Switch the device off.
2. Disconnect the device from the mains by removing the mains plug from the socket. When doing so, be sure to hold the plug, not the cable.
3. Do not reconnect a defective device to the mains.

Overheating protection

The device is provided with a safety thermostat which is activated by overheating of the device (when exceeding the operating temperature).

Once the safety thermostat has switched itself on, the device will be turned off.

When the device has cooled down sufficiently, the heating will be switched back on.

Investigate the cause of overheating.

If the safety thermostat does not switch in the event of overheating, the overheating protection will be tripped. In that case the device switches off completely. If so, please contact the customer service to have the overheating protection replaced.

Information about the device

Device description

The heated towel rail serves to generate warm air for interior spaces and to dry towels.

The heat is generated by an electrical heating element and distributed evenly in the radiator via a water glycol mixture. The air surrounding the radiator is heated.

The device is additionally equipped with an integrated temperature sensor which controls the heating depending on the current and the desired room temperature.

Some functions and settings can also be controlled by means of the Trotec Assistant App.

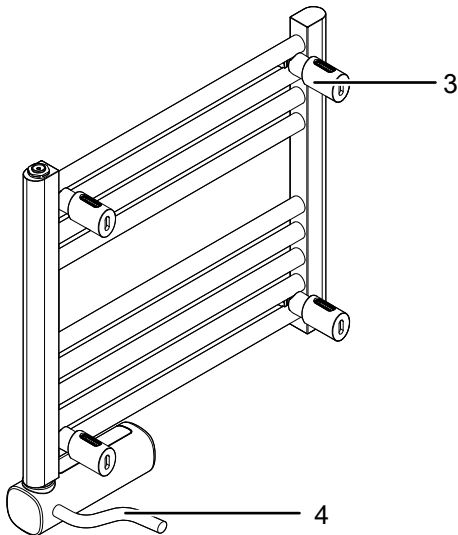
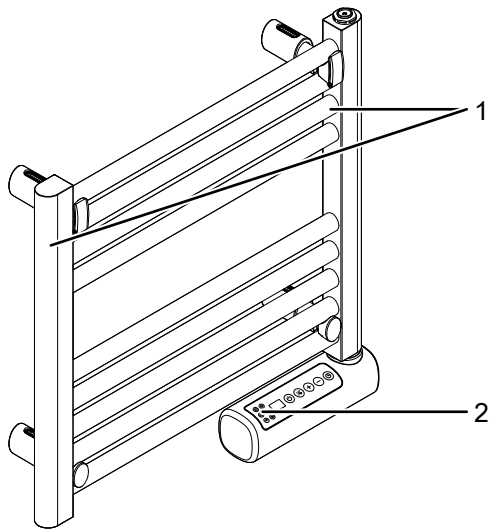
The device is only suited for wall mounting and features splash water protection (IP24).

A fixed or individual weekly schedule can be selected, allowing to switch on the device in specific time intervals. By means of the timer, you can also switch off the device at a defined time.

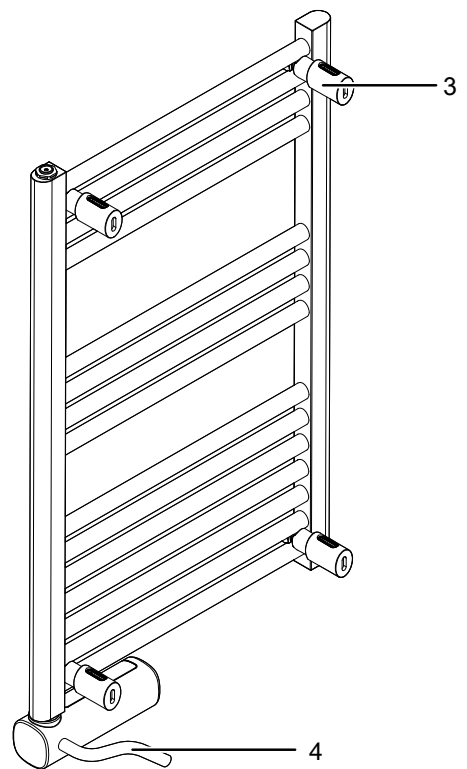
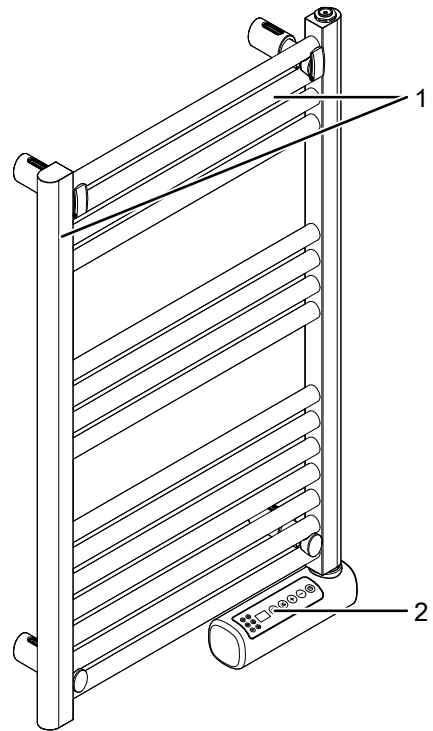
You can use the integrated touch panel to set a target temperature value between 1 °C and 31 °C for the Economy heating mode. For all other modes or programmes, you can set the target temperature value between 5 °C and 35 °C.

Device depiction

TWH 300 S



TWH 500 S



No.	Designation
1	Heating elements
2	Control panel
3	Spacer and wall bracket
4	Power cable with plug

Transport and storage

Notice

If you store or transport the device improperly, the device may be damaged.

Note the information regarding transport and storage of the device.

Before transporting the device, observe the following:

- **If the device is switched on:** Press the On/Standby button (12) to activate the standby mode.
- Disconnect the device from the mains by removing the mains plug from the socket. When doing so, be sure to hold the plug, not the cable.
- Do not use the power cable to drag the device.
- Allow the device to cool down sufficiently.
- Disassemble the radiator in reverse order to the assembly (see wall mounting in the chapter Assembly and start-up).

When the device is not being used, observe the following storage conditions:

- Store the device in a dry location and protected from frost and heat.
- Store the device in a location where it is protected from dust and direct sunlight.
- If required, use a cover to protect the device from invasive dust.

Assembly and start-up

Scope of delivery

- 1 x Radiator
- 4 x Screw (ST6 x 60 mm)
- 4 x Wall plug
- 4 x Screw (M6 x 30 mm)
- 4 x Screw (M4 x 12 mm)
- 4 x Spacer (outside)
- 4 x Spacer (inside)
- 4 x Metal plate
- 2 x Counterholder
- 2 x Counterholder with flap
- 2 x Insertion plate
- 2 x Plate
- 1 x Manual

Unpacking the device



Warning

There is a danger of suffocation for children due to packaging material! Keep packaging films and parts away from children. There is a risk of death due to suffocation.

1. Open the cardboard box and take the device out.
2. Completely remove the packaging.
3. Fully unwind the power cable. Make sure that the power cable is not damaged and that you do not damage it during unwinding.

Assembly



Warning

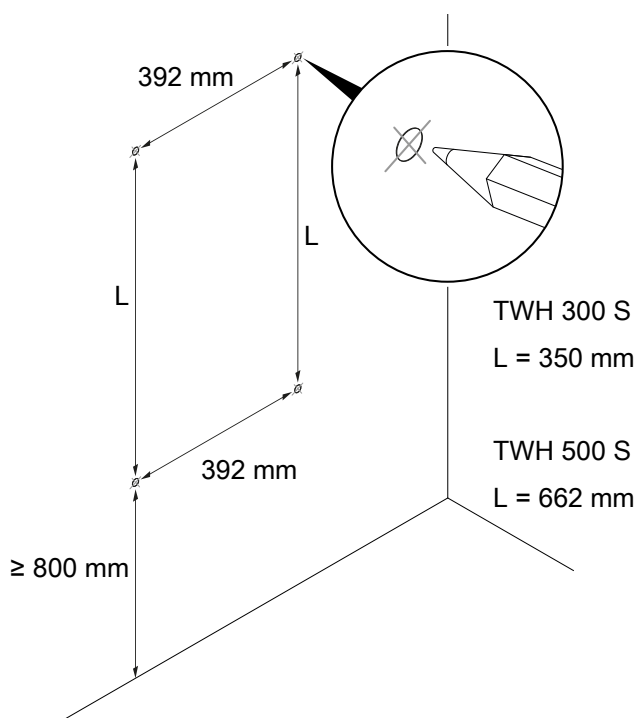
Risk of fire due to incorrect assembly!
There is a risk of fire if the required minimum distances are not observed.
Observe the technical data in the chapter Technical annex.

Notice

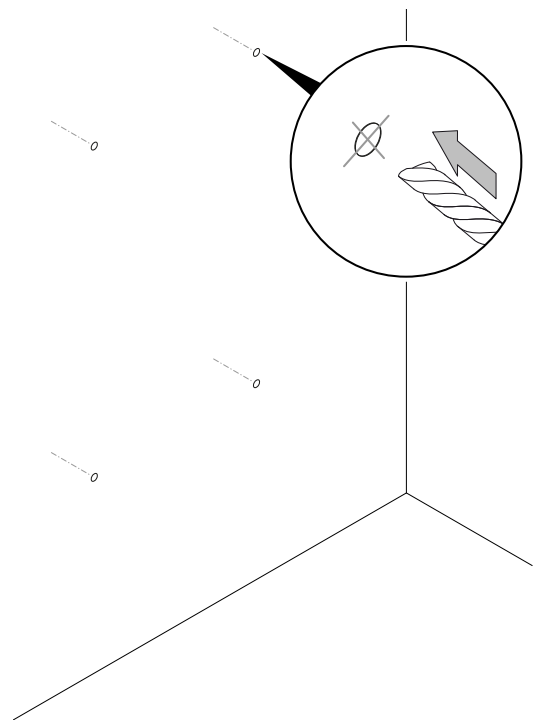
Install the device so that it is not positioned directly below or in front of a wall socket.

Wall mounting

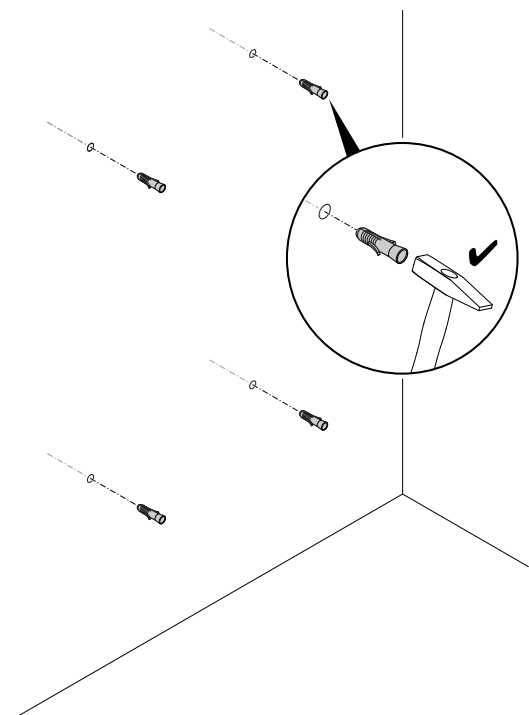
1. Mark the position of the drill holes on the wall, complying with the specified distances.



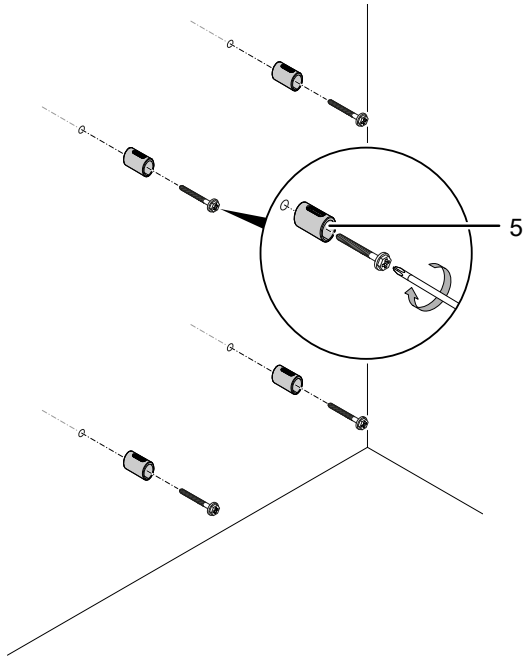
2. Drill four holes into the wall using a 10 mm drill.



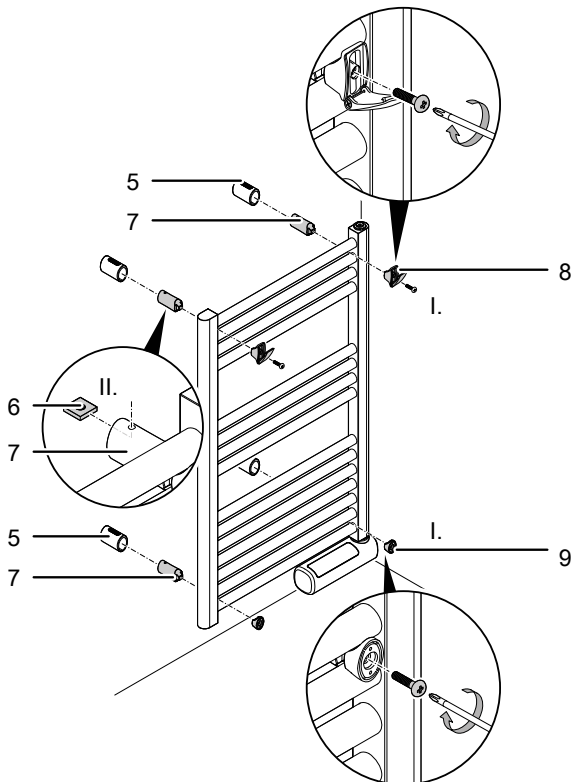
3. Insert the wall plugs into the drill holes.



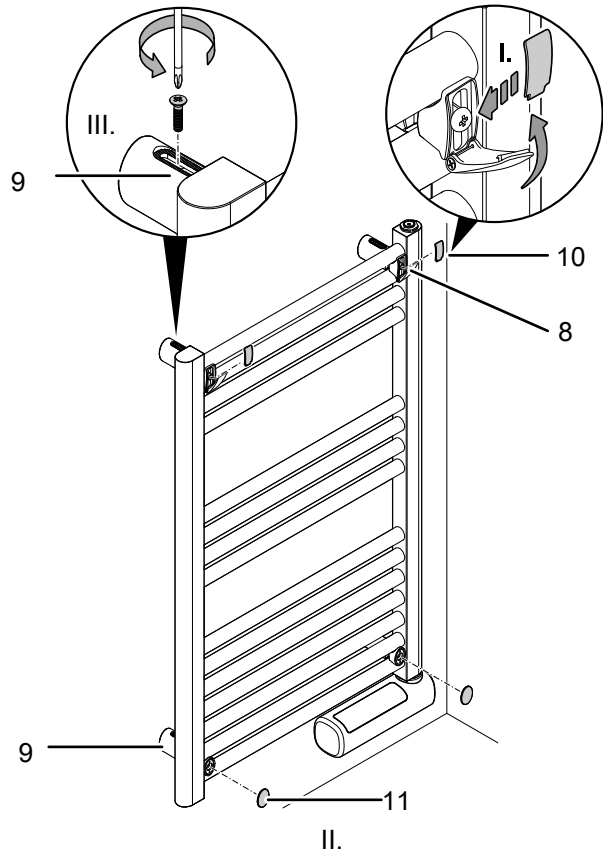
4. Place the four spacers (outside) (5) in front of the drill holes and screw them tight using four screws (ST6 x 60 mm).



5. **I.:** Bolt the spacers (inside) (7) to the radiator with the counterholders (with (8) and without flap (9)). Observe the correct positions. Use the screws (M6 x 30 mm). Do not fasten the screws too tightly so as to be able to readjust them later on, if necessary.
6. **II.:** Place the four metal plates (6) into the four spacers (inside) (7).
7. **III.:** Lift the radiator and put the spacers (inside (7) and outside (5)) together.



8. **I.:** Place the insertion plates (10) between the flaps of the upper counterholders (8) and close the flaps.
9. **II.:** Press the two plates (11) onto the lower counterholders from the front (9).
10. **III.:** Then tighten all four spacers from above using four locking screws (M4 x 12 mm).



11. In a final step, ensure that the towel radiator is mounted securely to the wall and positioned correctly.

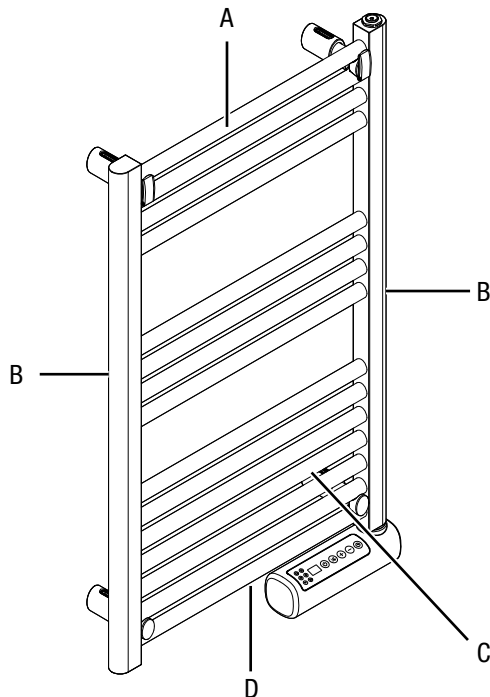
Start-up



Info

Odours may occur upon initial start-up or after a longer period of non-use.

When positioning the device, observe the minimum distance from walls or other objects as described in the chapter Technical annex.



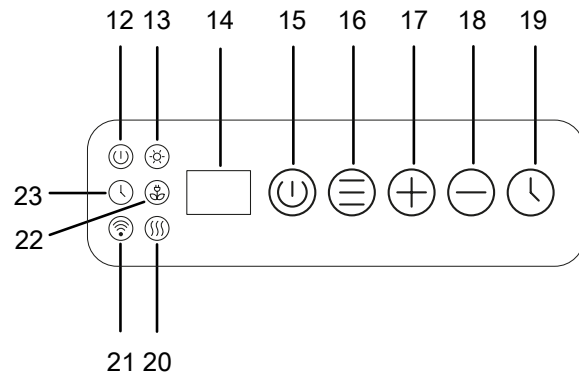
- Do not create tripping hazards when laying the power cable. If necessary, use cable bridges.
- Make sure that extension cables are completely unrolled.
- When installing the device, keep a sufficient distance to other heat sources.

Connecting the power cable

- Connect the mains plug to a properly secured socket.
- Never place the power cable over the heating elements!

Operation

Control panel



No.	Designation	Meaning
12	<i>On/Standby</i> LED	Operation indicator
13	<i>Comfort</i> LED	Illuminated when <i>Comfort</i> heating mode is activated
14	Segment display	Indication of the set number of hours during timer programming. Indication of remaining timer run-time. Indication of the desired room temperature during temperature adjustment. Open window function
15	<i>On/Standby</i> button	Switching the device on or activating standby mode
16	<i>Mode/Wifi</i> button	Wifi activation Setting the following heating types and programmes: = Economy heating mode = Comfort heating mode P1, P2 and P3 = heating programmes P1, P2 and P3
17	<i>Increase value</i> button	Set the desired room temperature (1 °C to 31 °C for the Economy heating mode only, otherwise 5 °C to 35 °C) or the number of hours for the timer (1 hour to 24 hours), selection of the active weekdays for programme P3
18	<i>Decrease value</i> button	
19	<i>Timer</i> button	Switch the timer function on and off (setting of 0, 2, 4 or 8 hours), change heating programme P3 Setting the weekday and time
20	<i>Heating</i> LED	Illuminated when the device is heating
21	<i>Wifi</i> LED	Illuminated when a Wifi connection is established
22	<i>Economy</i> LED	Illuminated when <i>Economy</i> heating mode is activated
23	<i>Timer</i> LED	Illuminated when the timer is activated



Info

Avoid open doors and windows so that no heat can escape from the room when heating.



Info

When you switch on the device for the first time, the following factory settings are selected: the timer is switched off, Comfort heating mode is selected and the temperature is set to 22 °C.

Switching the device on

Once you have completely installed the device as described in the chapter Assembly and start-up, you can switch it on.

✓ The mains plug is inserted and the *On/Standby* LED (12) is illuminated. The device is in standby mode.

1. Press the *On/Standby* button (12) to switch the device on.

Setting the weekday and time

1. Press the *Timer* button (19) for 3 seconds.
 - ⇒ In the segment display (14), the letter **d** is indicated.
2. Press the *Decrease value* button (18) or *Increase value* button (17) to set the desired weekday. Each of the numbers 1 to 7 stands for one weekday (1 = Monday, 2 = Tuesday, 3 = Wednesday, 4 = Thursday, 5 = Friday, 6 = Saturday, 7 = Sunday).
3. Press the *Timer* button (19) again to confirm the entry.
 - ⇒ In the segment display (14), the letter **h** is indicated.
4. Press the *Decrease value* button (18) or *Increase value* button (17) to select the desired set number of hours (1–24 hours) for the time.
5. Press the *Timer* button (19) again to confirm the entry.
 - ⇒ In the segment display (14), the symbol **□** is indicated.
6. Press the *Decrease value* button (18) or *Increase value* button (17) to select the desired set number of minutes for the time.
7. Press the *Timer* button (19) again to save all entries.

Setting the operating mode

The following operating modes can be selected:

- *Comfort heating mode*
- *Economy heating mode*
- *Frost monitor heating mode*
- *Heating programmes P1, P2, P3*
- *Open window function*

1. Press the *Mode/Wifi* button (16) until the desired heating mode is selected.
 - ⇒ The mode selected is illuminated or is shown in the segment display (14).
 - ⇒ The *Heating* LED (20) is illuminated when the device is heating.

Setting the desired room temperature

You can set the desired room temperature on the device.

1. Press the *Increase value* button (18) or *Decrease value* button (17) to set the desired room temperature. Only in the Economy heating mode the temperature can be set to 1 °C – 31 °C. Otherwise the temperature can be set to 5 °C – 35 °C. The setting is made in 1 °C increments.
 - ⇒ The desired room temperature is saved and indicated on the segment display (14).
 - ⇒ The current room temperature is indicated in the Trotec Assistant app.

Comfort heating mode 

The device operates until the desired room temperature is reached, then the heating switches off.

If the determined room temperature falls below the desired room temperature, the heating switches on again. In the Comfort heating mode, the temperature can be set to 5 °C – 35 °C.

Economy heating mode 

The device operates with a heating capacity of 300 W (TWH 300 S) or 500 W (TWH 500 S) until reaching the desired room temperature, then the heating switches off.

If the determined room temperature falls below the desired room temperature, the heating switches on again. In the Economy heating mode, the temperature can be set to 1 °C – 31 °C.

Frost monitor heating mode

In *frost monitor heating mode* the devices heats automatically if the room temperature is below 7 °C. This temperature cannot be changed.

Open window function

If the *Open window function* is activated and the temperature drops by 2 °C within 2 minutes, the device switches off automatically.

1. Simultaneously press the *Mode/Wifi* button (16) and the *Increase value* button (17) to switch on the Open window function.
 - ⇒ **F□** appears for a few seconds on the segment display (14).
2. Simultaneously press the *Mode/Wifi* button (16) and the *Decrease value* button (18) to switch the Open window function off again.
 - ⇒ **FF** appears for a few seconds on the segment display (14).

You can additionally activate this function in the Trotec Assistant App (see operation with WiFi and installation of the Trotec Assistant App).

Heating programmes P1, P2, P3

Heating programmes P1, P2 and P3 only work properly if weekday and time have been set correctly (see “Setting the date and time”).

There are two different intervals for heating programmes P2 and P3, which are activated after the days specified have elapsed.

Heating programmes P1 and P2 are preset heating programmes (Comfort and Economy heating mode). The setting of the programmes cannot be changed.

Heating programme P3 is preset, however, it can be changed manually.

Heating programme P1 (Monday to Sunday)	
Time	Heating mode
00:00 -01:00	Comfort heating mode
01:00 -07:00	Economy heating mode
07:00 -00:00	Comfort heating mode

Heating programme P2 (Monday to Friday)	
Time	Heating mode
00:00 -01:00	Comfort heating mode
01:00 – 05:00	Economy heating mode
05:00 -09:00	Comfort heating mode
09:00 -19:00	Economy heating mode
19:00 -00:00	Comfort heating mode

Heating programme P2 (Saturday and Sunday)	
Time	Heating mode
00:00 -01:00	Comfort heating mode
01:00 – 08:00	Economy heating mode
08:00 -11:00	Comfort heating mode
11:00 -13:00	Economy heating mode
13:00 -16:00	Comfort heating mode
16:00 -20:00	Economy heating mode
20:00 -00:00	Comfort heating mode

With heating programme P3, the active weekdays, the time spans and the heating modes can be altered.

Heating programme P3 (Monday to Friday)	
Time	Heating mode
00:00 -01:00	Comfort heating mode
01:00 – 05:00	Economy heating mode
05:00 -09:00	Comfort heating mode
09:00 12:00	Economy heating mode
12:00 -16:00	Comfort heating mode
16:00 -18:00	Economy heating mode
18:00 -00:00	Comfort heating mode

Heating programme P3 (Saturday and Sunday)	
Time	Heating mode
00:00 -01:00	Comfort heating mode
01:00 – 05:00	Economy heating mode
05:00 -00:00	Comfort heating mode

Please proceed as follows to change programme P3:

- Press the *Mode/Wifi* button (16) for 3 seconds.
⇒ The segment display (14) shows the letters $d1-d7$.
- Press the *Decrease value* (18) or *Increase value* button (17) to select the first day for the setting (d1=Monday, d2=Tuesday, d3=Wednesday, d4=Thursday, d5=Friday, d6=Saturday, d7=Sunday).
- Press the *Mode/Wifi* button (16) to confirm the entry.
⇒ The segment display (14) shows the numbers 00 .
- Press the *Decrease value* button (18) or *Increase value* button (17) to set the set number of hours for the first time interval.
- Press the *Mode/Wifi* button (16) to confirm the entry.
- Press the *Mode/Wifi* button (16) again to select the desired heating mode (Comfort, Economy or Frost monitor heating mode).
- Set the time intervals and heating modes for all desired weekdays.

8. Press the *Mode/Wifi* button (16) again to confirm the entry.
 - ⇒ When you have completed the settings for the current day, the segment display (14) automatically changes to the weekday setting.
9. Repeat all steps from 2.
10. When you have reached the end of the last weekday setting and you press the *Increase value* button (17), the programme set is shown on the segment display.

Setting the timer

The timer function switches the device off after the set time has elapsed.

The timer can be set to a value between 1 hour and 24 hours.

- ✓ The device is switched on.
1. Press the *Timer* button (19).
 - ⇒ The segment display (14) will show the letters **0H**.
 2. Press the *Decrease value* button (18) or *Increase value* button (17) to adjust the timer.
 - ⇒ After 3 seconds, the number of hours flashes and is counted down on the segment display (14).
 - ⇒ The desired time until automatic switch-off is saved.
 - ⇒ The *Timer* LED (23) is illuminated.
 - ⇒ Once the set time has elapsed, the device will switch over into standby mode.
 - ⇒ Setting the number of hours to 0 switches the timer function off.



Info

You can also set the number of hours on the timer by pressing the (19) button instead of the *Decrease value* (18) or *Increase value* button (17). The number of hours can be set to 0 hours, 2 hours, 4 hours or 8 hours using the timer button (19).

Operation with WiFi and installation of the Trotec Assistant App



All settings can also be made via the Trotec Assistant App. The settings of the timer functions that are operated via the app are not additionally displayed on the control panel of the device.

Install the Trotec Assistant App on the terminal device you want to use in combination with the device.



Info

Some of the app's functions require access to your location and an active internet connection.

The app is available for download in the Google Play Store and Apple App Store as well as via the following link:



<https://hub.trotec.com/?id=45093>

WiFi connection

Proceed as follows to establish a WiFi connection:

- ✓ The device is in standby mode.
1. Download the Trotec Assistant App and open it.
 2. Select *Add Device* by pressing the + sign in the top right corner.
 3. Select *Small household appliance* and *Heated towel rail (Wifi)* in the level below.
 4. Press the *Mode/Wifi* button (16) on the device's operating panel until the Wifi LED is lit.
 - ⇒ The *Wifi* LED (21) flashes.
 - ⇒ The device is in *Quick Connect* mode.
 5. Follow the instructions in the app.
 - ⇒ Once the *Mode/Wifi* button (16) is permanently illuminated, the connection is established.

Info

If the Wifi connection is interrupted, the device may not automatically reconnect to the network. If this is the case, re-establish the connection with the *Mode/Wifi* button (16).

Shutdown



Warning of electrical voltage

Do not touch the mains plug with wet or damp hands.

1. Switch the device to standby mode by pressing the *On/Standby* button (12).
2. Disconnect the device from the mains by removing the mains plug from the socket. When doing so, be sure to hold the plug, not the cable.

Errors and faults



Warning of electrical voltage

Tasks which require the device to be opened must only be carried out by authorised specialist companies or by the manufacturer.

The device has been checked for proper functioning several times during production. If malfunctions occur nonetheless, check the device according to the following list.

The device does not start:

- Check the power connection.
- Check the power cable and mains plug for damage. If you notice damages, do not try to take the device back into operation.
If the supply cord is damaged, it must be replaced by the manufacturer, its service agent or similarly qualified persons in order to avoid a hazard.
- Check the on-site fusing.

The device is switched on, but the heating is not operating:

- Check the room temperature. The room thermostat may have switched off, because the desired room temperature has been reached.
- Check whether the overheating protection has tripped (see chapter Safety).
- The heating resistor might have blown. Have a defective heating resistor replaced by a specialist electrical company.
- The room thermostat might be defective. Have a defective room thermostat replaced by a specialist electrical company.
- The water glycol mixture may have to be refilled. Never open the water / glycol circuit! In this case, contact the manufacturer or a specialist company.

The device still does not operate correctly after these checks:

Contact the manufacturer's customer service. If necessary, take the device to an authorised specialist electrical company or to the manufacturer for repair.

Maintenance

Maintenance intervals

Maintenance and care interval	before every start-up	as needed	at least every 2 weeks	at least every 4 weeks	at least every 6 months	at least annually
Check radiator for dirt and foreign objects and clean if necessary		X				
Clean the exterior		X				X
Check for damage	X					
Check the attachment screws		X				X
Check the thermostats					X	
Check the electrical connections					X	
Test run						X

Maintenance and care log

Device type:

Device number:

Maintenance and care interval	1	2	3	4	5	6	7	8	9	10	11	12	13	14	15	16
Check radiator for dirt and foreign objects and clean if necessary																
Cleaning the exterior																
Check for damage																
Check the attachment screws																
Check the thermostats																
Check the electrical connections																
Test run																
Comments																

1. Date:	2. Date:	3. Date:	4. Date:
Signature:	Signature:	Signature:	Signature:
5. Date:	6. Date:	7. Date:	8. Date:
Signature:	Signature:	Signature:	Signature:
9. Date:	10. Date:	11. Date:	12. Date:
Signature:	Signature:	Signature:	Signature:
13. Date:	14. Date:	15. Date:	16. Date:
Signature:	Signature:	Signature:	Signature:

Cleaning the housing

Clean the housing with a soft, slightly damp and lint-free cloth. Ensure that no moisture enters the housing. Protect electrical components from moisture. Do not use any aggressive cleaning agents such as cleaning sprays, solvents, alcohol-based or abrasive cleaners to dampen the cloth.

Wipe the housing dry after cleaning.

Technical annex
Technical data

Parameter	Value	
Model	TWH 300 S	TWH 500 S
Heating capacity	300 W	500 W
Setting range	1 °C to 35 °C	1 °C to 35 °C
Mains connection	230 V / 50-60 Hz	230 V / 50-60 Hz
Power consumption	300 W	500 W
Nominal current consumption	1.5 A	2.5 A
Cable length	1.5 m	1.5 m
Plug type	CEE 7/7	CEE 7/7
Protection class	II	II
Type of protection	IP24	IP24
Dimensions (depth x width x height)	500 x 124 x 525 mm	500 x 124 x 875 mm
Minimum distance to walls and other objects	A: top: 100 cm B: sides: 100 cm C: front: 100 cm D: bottom: 80 cm	100 cm 100 cm 100 cm 80 cm
Weight	6 kg	10 kg

Information requirements for electrical local space heaters

Parameter	Value / item	
	TWH 300 S	TWH 500 S
Model	TWH 300 S	TWH 500 S
Heat output		
Nominal heat output P_{nom}	0.300 kW	0.500 kW
Minimum heat output (indicative) P_{min}	n/a	n/a
Maximum continuous heat output $P_{max,c}$	0.298 kW	0.499 kW
Power consumption		
In the Off state P_o	n/a	n/a
In standby mode P_{sm}	0.72 W	0.72 W
In idle condition P_{idle}	0.72 W	0.72 W
In networked standby operation P_{nsm}	0.81 W	0.81 W
Standby operation with information or status indication	YES	
Room heating annual efficiency in active operation $\eta_{s,on}$	92.0 %	92.0 %
Type of heat output/room temperature controller		
Single-stage heat output, no room temperature control	NO	NO
Two or more manual stages, no room temperature control	NO	NO
Room temperature controller with mechanic thermostat	NO	NO
With electronic room temperature controller	NO	NO
Electronic room temperature controller with time of day control	NO	NO
Electronic room temperature controller with weekday control	YES	YES
Other control options		
Room temperature controller with presence detection	NO	NO
Room temperature controller with open window detection	YES	YES
Adaptive control of heating start	NO	NO
Operating time limitation	YES	YES
With black bulb sensor	NO	NO
Self-learning function	NO	NO
Control accuracy	NO	NO
Contact details	Trotec GmbH Grebbener Straße 7 D-52525 Heinsberg	

n/a: not applicable

Disposal

Always dispose of packing materials in an environmentally friendly manner and in accordance with the applicable local disposal regulations.



The icon with the crossed-out wheeled bin indicates that this device and any associated components must not be disposed of with household waste at the end of their life, in accordance with the Waste Electrical and Electronic Equipment Directive (2012/19/EU) and national laws.

You will find collection points for free return of waste electrical and electronic equipment in your vicinity. The addresses can be obtained from your municipality or local administration. You can also find out about other return options that apply for many EU countries on the website <https://hub.trotec.com/?id=45090>. Otherwise, please contact an official recycling centre for electronic and electrical equipment authorised for your country.

The separate collection of waste electrical and electronic equipment aims to enable the re-use, recycling and other forms of recovery of waste equipment as well as to prevent negative effects for the environment and human health caused by the disposal of hazardous substances potentially contained in the equipment.

Only for United Kingdom

According to Waste Electrical and Electronic Equipment Regulations 2013 (SI 2013/3113) (as amended) devices that are no longer usable must be collected separately and disposed of in an environmentally friendly manner.

Trotec GmbH

Grebbener Str. 7
52525 Heinsberg
Germany

☎ +49 2452 962-0

☎ +49 2452 962-200

✉ online@trotec.com

www.trotec.com