

PSCS 11-16V

EN

ORIGINAL INSTRUCTIONS
CORDLESS DRILL DRIVER



 TROTEC

Table of contents

Notes regarding the instructions 1

Safety 2

Information about the device 6

Transport and storage 8

Start-up 9

Operation 13

Available accessories 14

Errors and faults 14

Maintenance 15


Disposal 16


Declaration of conformity 16


Notes regarding the instructions

Symbols


 **Warning of electrical voltage**
 This symbol indicates dangers to the life and health of persons due to electrical voltage.


 **Warning of explosive substances**
 This symbol indicates dangers to the life and health of persons due to potentially explosive substances.


 **Warning**
 This signal word indicates a hazard with an average risk level which, if not avoided, can result in serious injury or death.


 **Caution**
 This signal word indicates a hazard with a low risk level which, if not avoided, can result in minor or moderate injury.


Note
 This signal word indicates important information (e.g. material damage), but does not indicate hazards.

 **Info**
 Information marked with this symbol helps you to carry out your tasks quickly and safely.

 **Follow the manual**
 Information marked with this symbol indicates that the operating manual must be observed.

 **Wear safety glasses**
 Information marked with this symbol indicates that you should wear eye protection.

 **Wear a protective mask**
 Information marked with this symbol indicates that you should wear a protective mask.

 **Wear protective clothing**
 Information marked with this symbol indicates that you should wear protective clothing.

 **Wear protective gloves**
 Information marked with this symbol indicates that you should wear protective gloves.

You can download the current version of the operating manual and the EU declaration of conformity via the following link:



PSCS 11-16V



<https://hub.trotec.com/?id=42024>

Safety

Read this manual carefully before starting or using the device. Always store the manual in the immediate vicinity of the device or its site of use!



Warning

Observe all the safety warnings, instructions, illustrations and technical data provided with this power tool.

Failure to follow the instructions below may result in electric shock, fire and / or serious injury.

Save all warnings and instructions for future reference.

The term *power tool* used in the safety warnings refers to both mains-operated and battery-powered electric tools (with/without power cable).



General Power Tool Safety Warnings – Work area safety

- **Keep work area clean and well lit.** Cluttered or dark areas invite accidents.
- **Do not operate power tools in explosive atmospheres, such as in the presence of flammable liquids, gases or dust.** Power tools create sparks which may ignite the dust or fumes.
- **Keep children and bystanders away while operating a power tool.** Distractions can cause you to lose control.



General Power Tool Safety Warnings – Electrical safety

- **Power tool plugs must match the outlet. Never modify the plug in any way. Do not use any adapter plugs with earthed (grounded) power tools.** Unmodified plugs and matching outlets will reduce risk of electric shock.
- **Avoid body contact with earthed or grounded surfaces, such as pipes, radiators, ranges and refrigerators.** There is an increased risk of electric shock if your body is earthed or grounded.
- **Do not expose power tools to rain or wet conditions.** Water entering a power tool will increase the risk of electric shock.
- **Do not abuse the cord. Never use the cord for carrying, pulling or unplugging the power tool. Keep the cord away from heat, oil, sharp edges or moving parts.** Damaged or entangled cords increase the risk of electric shock.
- **When operating a power tool outdoors, use an extension cord suitable for outdoor use.** Use of a cord suitable for outdoor use reduces the risk of electric shock.

- **If operating a power tool in a damp location is unavoidable, use a residual current device (RCD) protected supply.** Use of an RCD reduces the risk of electric shock.
- **Hold power tool by insulated gripping surfaces when performing an operation where the cutting accessory may contact hidden wiring or its own cord.** Cutting accessory contacting a "live" wire may make exposed metal parts of the power tool "live" and could give the operator an electric shock.



General Power Tool Safety Warnings – Personal safety

- **Stay alert, watch what you are doing and use common sense when operating a power tool. Do not use a power tool while you are tired or under the influence of drugs, alcohol or medication.** A moment of inattention while operating power tools may result in serious personal injury.



Use personal protective equipment. Always wear eye protection. Protective equipment such as dust mask, non-skid safety shoes, hard hat, or hearing protection used for appropriate conditions will reduce personal injuries.

- **Prevent unintentional starting. Ensure the switch is in the off-position before connecting to power source and/or battery pack, picking up or carrying the tool.** Carrying power tools with your finger on the switch or energising power tools that have the switch on invites accidents.
- **Remove any adjusting key or wrench before turning the power tool on.** A wrench or a key left attached to a rotating part of the power tool may result in personal injury.
- **Do not overreach. Keep proper footing and balance at all times.** This enables better control of the power tool in unexpected situations.
- **Dress properly. Do not wear loose clothing or jewellery. Keep your hair and clothing away from moving parts.** Loose clothes, jewellery or long hair can be caught in moving parts.
- **If devices are provided for the connection of dust extraction and collection facilities, ensure these are connected and properly used.** The use of a dust extraction system may reduce dust-related hazards.
- **Do not let familiarity gained from frequent use of tools allow you to become complacent and ignore tool safety principles.** A careless action can cause severe injury within a fraction of a second.



General Power Tool Safety Warnings – Power tool use and care

- **Do not force the power tool. Use the correct power tool for your application.** The correct power tool will do the job better and safer at the rate for which it was designed.
- **Do not use the power tool if the switch does not turn it on and off.** Any power tool that cannot be controlled with the switch is dangerous and must be repaired.
- **Disconnect the plug from the power source and / or the battery pack, if detachable, from the power tool before making any adjustments, changing accessories, or storing power tools.** Such preventive safety measures reduce the risk of starting the power tool accidentally.
- **Store idle power tools out of the reach of children and do not allow persons unfamiliar with the power tool or these instructions to operate the power tool.** Power tools are dangerous in the hands of untrained users.
- **Maintain power tools and accessories carefully. Check for misalignment or binding of moving parts, breakage of parts and any other condition that may affect the power tool's operation. If damaged, have the power tool repaired before use.** Many accidents are caused by poorly maintained power tools.
- **Keep cutting tools sharp and clean.** Properly maintained cutting tools with sharp cutting edges are less likely to bind and are easier to control.
- **Use the power tool, accessories and tool bits etc. in accordance with these instructions, taking into account the working conditions and the work to be performed.** Use of the power tool for operations different from those intended could result in a hazardous situation.
- **Keep handles and gripping surfaces dry, clean and free from oil and grease.** Slippery handles and gripping surfaces do not allow for safe handling and control of the tool in unexpected situations.



General Power Tool Safety Warnings – Battery tool use and care

- **Recharge only with the charger specified by the manufacturer.** A charger that is suitable for one type of battery pack may create a risk of fire when used with another battery pack.
- **Use power tools only with specifically designated battery packs.** Use of any other battery packs may create a risk of injury and fire.
- **When battery pack is not in use, keep it away from other metal objects, like paper clips, coins, keys, nails, screws or other small metal objects, that can make a connection from one terminal to another.** Shorting the battery terminals together may cause burns or a fire.
- **Under abusive conditions, liquid may be ejected from the battery. Avoid contact. If contact accidentally occurs, flush with water. If liquid contacts eyes, additionally seek medical help.** Liquid ejected from the battery may cause irritation or burns.
- **Do not use a damaged or modified battery.** Damaged or modified batteries can behave unexpectedly and lead to fires, explosions or injuries.
- **Do not expose a battery to fire or excessively high temperatures.** Exposure to fire or temperatures above 130 °C (265 °F) may cause an explosion.
- **Follow all the instructions for charging and never charge the battery or the cordless tool outside the temperature range specified in the operating instructions.** Incorrect charging or charging outside of the permissible temperature range can destroy the battery and increase the risk of fire.



General Power Tool Safety Warnings – Service

- **Have your power tool serviced by a qualified repair person using only identical replacement parts.** This will ensure that the safety of the power tool is maintained.
- **Never service damaged battery packs.** Service of battery packs should only be performed by the manufacturer or authorized service providers.



Device-specific safety warnings for cordless drill drivers

- Secure the workpiece with tensioning devices or a vice.
- Hold the power tool firmly. When tightening or loosening screws, high reaction torques can occur temporarily.
- Immediately switch off the power tool if the insertion tool blocks. Beware of high reaction torques causing a kickback.
- **Hold power tool by insulated gripping surfaces when performing an operation where the cutting accessory may contact hidden wiring.** Cutting accessory contacting a "live" wire may make exposed metal parts of the power tool "live" and could give the operator an electric shock.
- For any work on the device, as well as during transport or storage, set the switch for the rotational direction to centre position (locked). This prevents unintentional starting of the power tool.
- Wait until the power tool has come to a standstill, before putting it down.

Intended use

Only use the device PSCS 11-16V:

- for screwing in and loosening screws,
- for drilling in wood, plastic, ceramic and metal,

whilst adhering to the technical data.

We recommend using the power tool with original Trotec accessories.

Improper use

The device is not intended for drilling in concrete or natural stone.

Personnel qualifications

People who use this device must:

- have read and understood the operating manual, especially the Safety chapter.

Personal protective equipment



Wear eye protection.

With it you protect your eyes from splintering, falling and flying pieces which could cause injuries.



Wear a protective mask.

It saves you from inhaling harmful dusts generated when processing workpieces.



Wear protective gloves.



















They protect your hands from burns, crushing injuries and skin abrasions.



Wear tight-fitting protective clothing.

This protects you from the draw-in and entanglement hazard posed by rotating parts.

Residual risks

-  **Warning of electrical voltage**
Electric shock from insufficient insulation.
Check the device for damages and proper functioning before each use.
If you notice damages, no longer use the device.
Do not use the device when the device or your hands are damp or wet!
-  **Warning of electrical voltage**
Work on the electrical components must only be carried out by an authorised specialist company!
-  **Warning of electrical voltage**
Before any work on the device, remove the mains plug from the mains socket and the battery from the device!
Hold onto the mains plug while pulling the power cable out of the mains socket.
-  **Warning of electrical voltage**
There is a risk of a short-circuit due to liquids penetrating the housing!
Do not immerse the device and the accessories in water. Make sure that no water or other liquids can enter the housing.
-  **Warning of explosive substances**
Do not expose the battery to temperatures above 45 °C! Do not let the battery come into contact with water or fire! Avoid direct sunlight and moisture. There is a risk of explosion!
-  **Warning of hot surface**
 The insertion tool might still be hot after the application. Burn hazard when touching the insertion tool.
Do not touch the insertion tool bare-handed!
Wear protective gloves!
-  **Warning**
Toxic dusts!
  The harmful / toxic dusts produced during operation pose of risk to the health of the operator and persons in the vicinity.
Wear eye protection and a dust mask!
-  **Warning**
Do not process materials containing asbestos. Asbestos is considered carcinogenic.
-  **Warning**
Make sure not to hit power, gas or water lines when working with a power tool.
If necessary, use a pipe detector to check the wall you want to drill in or slit open.
-  **Warning**
Risk of injuries caused by flying parts or bursting tool heads.
-  **Warning**
Dangers can occur at the device when it is used by untrained people in an unprofessional or improper way! Observe the personnel qualifications!
-  **Warning**
The device is not a toy and does not belong in the hands of children.
-  **Warning**
Risk of suffocation!
Do not leave the packaging lying around. Children may use it as a dangerous toy.
-  **Caution**
Vibration emissions can cause a health hazard if the device is used for an extended period of time or if it is not properly handled and maintained.
-  **Caution**
Keep a sufficient distance from heat sources.
- Note**
If you store or transport the device improperly, the device may be damaged.
Note the information regarding transport and storage of the device.
- Note**
Only change the rotational direction when the device is at a standstill! Otherwise the device might be damaged.
- Note**
Set the torque and rotational direction according to the operating mode. A wrong selection may damage the device.

Information about the device

Device description

The cordless drill driver PSCS 11-16V has two speed levels: while the first speed level is suitable for screwing, drilling can be performed using the second speed level.

The integrated torque selection, including one drilling setting, allows you to use the optimum power for every application, adapted to the material and screw size.

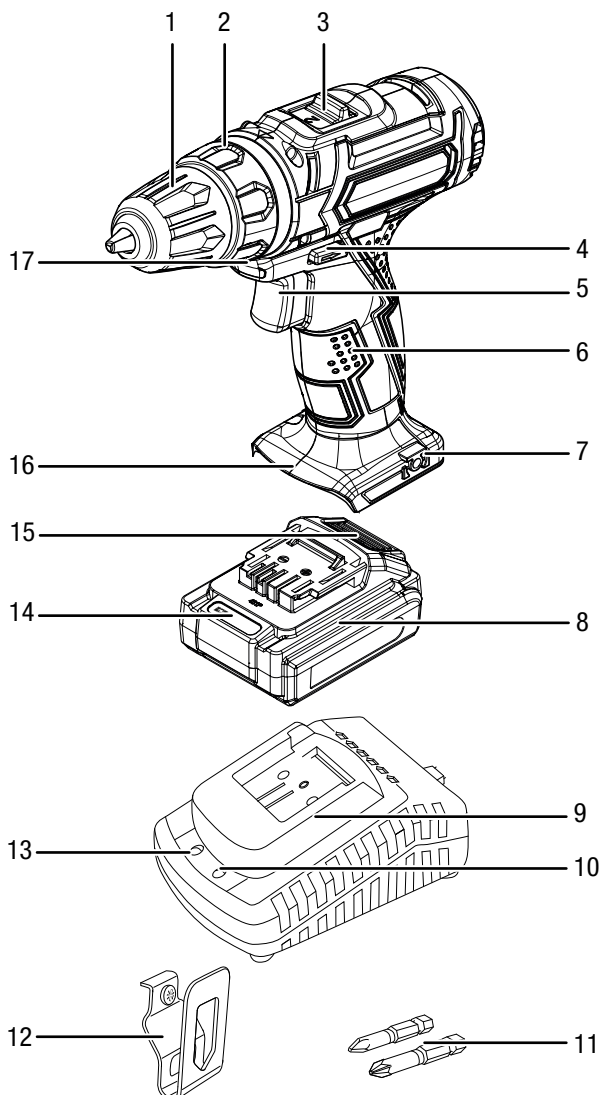
The keyless drill chuck with automatic spindle lock further enables an easy and tool-free exchange of the insertion tools.

The integrated LED work lamp offers an improved illumination of the workpiece or working surface,

and the optionally mountable belt clip facilitates transport and provides faster access to the device.

The battery comes with its own battery level indication. As a result you can check the current charging status without having to connect it to the device.

Device depiction




No.	Designation
1	Keyless drill chuck
2	Torque selection
3	Gear selection (2 speed levels)
4	Clockwise / counter-clockwise rotation, lock
5	On/off switch (speed regulation)
6	Handle
7	Attachment for belt clip
8	Battery
9	Quick charger
10	Green battery LED (quick charger ready for operation)
11	Bits
12	Belt clip
13	Red battery LED (battery charging)
14	3-stage battery level indication
15	Unlocking button
16	Battery holder
17	LED work lamp

Scope of delivery

- 1 x Cordless drill driver PSCS 11-16V
- 1 x Rechargeable battery
- 2 x Bits (50 mm)
- 1 x Quick charger
- 1 x Belt clip
- 1 x Transport case
- 1 x Manual

Technical data

Parameter	Value
Model	PSCS 11-16V
Nominal voltage	16 V $\overline{=}$
Idle speed	
1. speed level	0 – 400 rpm
2. speed level	0 – 1400 rpm
Torque settings	19 +1
Chucking range	Max. 10 mm
Max. drilling diameter	
wood	25 mm
metal	10 mm
Max. torque	30 Nm
Weight	1.2 kg
Battery	Multiflex 16 – 2.0 DC
Type	Li-ion
Nominal voltage	16 V $\overline{=}$
Capacity	2 Ah
Quick charger	Multiflex 16 – 2.0 AC
Input	
Nominal voltage	220 - 240 V / 50 Hz
Power input	56 W
Output	
Nominal voltage	16.8 V $\overline{=}$
Charging current	2.5 A
Charging time	1 h
Protection class	II / 
Sound values according to EN 60745	
Sound pressure level	69.5 dB(A)
Sound power level	80.5 dB(A)
Uncertainty K	3 dB(A)
Vibration information according to EN 60745	
Vibration emission value drilling in metal / screwing $a_{h=in}$	1.03 m/s ²
Uncertainty K	1.5 m/s ²

Information on noise and vibration:

- The vibration level specified in these instructions was determined by means of a measuring method standardized in EN 60745 and can be used for a device comparison. The specified vibration emission value may also be used for a preliminary assessment of the exposure.



Caution

Vibration emissions can cause a health hazard if the device is used for an extended period of time or if it is not properly handled and maintained.

- The vibration level will change depending on the application of the power tool and may in some cases differ from the value specified in these instructions. The vibration load may be underestimated if the power tool is used regularly in such a way. For a precise estimation of the vibration load during a certain work period, it is also important to consider the periods during which the device is switched off, or is running but not actually employed. This can reduce the vibration load over the entire work period significantly.

Transport and storage

Note

If you store or transport the device improperly, the device may be damaged.

Note the information regarding transport and storage of the device.

Transport

For transporting the device, use the transport case included in the scope of delivery in order to protect the device from external influences.

Before transporting the device, observe the following:

- Switch off the device by setting the switch for clockwise/ counter-clockwise rotation to centre position (lock).
- Hold onto the mains plug while pulling the power cable of the charger out of the mains socket.
- Allow the device to cool down.
- Remove the battery from the device.
- Remove the tool from the tool holder.

The supplied Li-ion batteries are subjects to the requirements of dangerous goods legislation.

Observe the following when transporting or shipping Li-ion batteries:

- The user may transport the batteries by road without any additional requirements.
- If transport is carried out by third parties (e.g. air transport or forwarding company), special requirements as to packaging and labelling must be observed. This includes consulting a dangerous goods specialist when preparing the package.
 - Only ship batteries if their housing is undamaged.
 - Mask open terminals with tape and pack the battery in a way that it cannot move inside the packaging.
 - Please also observe any other national regulations.

Storage

Before storing the device, observe the following:

- Switch off the device by setting the switch for clockwise/ counter-clockwise rotation to centre position (lock).
- Hold onto the mains plug while pulling the power cable of the charger out of the mains socket.
- Allow the device to cool down.
- Remove the battery from the device.
- Remove the tool from the tool holder.
- Clean the device as described in the Maintenance chapter.
- For storing the device, use the transport case included in the scope of delivery in order to protect the device from external influences.
- Do not store Li-ion batteries which are completely discharged. Storing discharged batteries can lead to a deep discharge and thus damage the battery.

When the device is not being used, observe the following storage conditions:

- dry and protected from frost and heat
- ambient temperature below 40 °C
- protected from dust and direct sunlight inside the transport case

Start-up

Unpacking the device

- Take the transport case out of the packaging.



Warning of electrical voltage

Electric shock from insufficient insulation.
Check the device for damages and proper functioning before each use.

If you notice damages, no longer use the device.
Do not use the device when the device or your hands are damp or wet!

- Check the contents of the transport case for completeness and look for damages.



Warning

Risk of suffocation!
Do not leave the packaging lying around. Children may use it as a dangerous toy.

- Dispose of the packaging material according to the national regulations.

Charging the battery

Note

The battery can be damaged in case of improper charging.

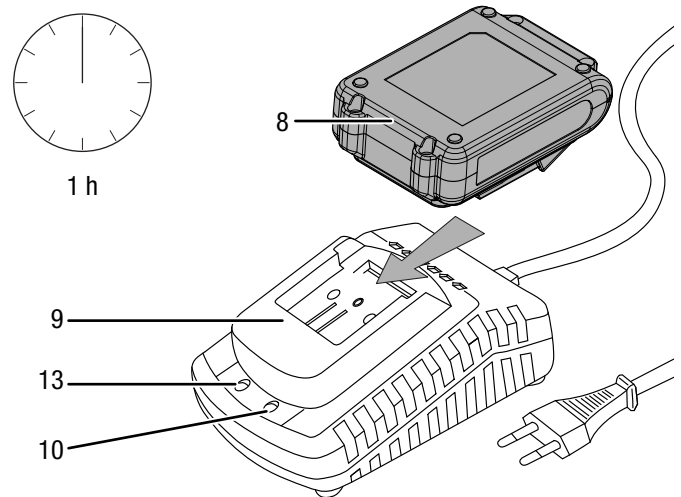
Remove the charger's mains plug before inserting or removing the battery.

Never charge the battery at ambient temperatures below 10 °C or above 40 °C.

The battery is partially charged upon delivery to avoid damage to the battery caused by a deep discharge.

Prior to initial start-up and when the battery is low (only the red LED in the battery level indication (14) is illuminated), the battery should be charged. To do so, please proceed as follows:

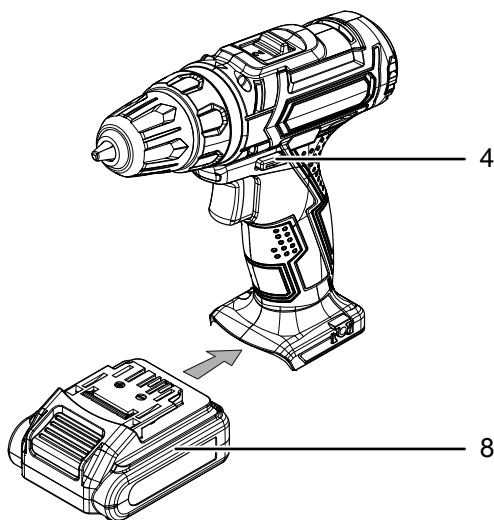
1. Slide the battery (8) onto the quick charger (9) upside down until it locks in place.



2. Insert the mains plug of the quick charger (9) into a properly fused mains socket.
 - ⇒ The red battery LED (13) is illuminated.
 - ⇒ Charging requires approx. one hour.
3. Wait until the red battery LED (13) goes out and the green battery LED (10) is illuminated.
 - ⇒ The battery (8) is fully charged.
4. Hold onto the mains plug while pulling the power cable of the quick charger (9) out of the mains socket.
 - ⇒ The battery (8) and the quick charger (9) may have become warm during charging.
Allow the battery (8) to cool down to room temperature.
5. Take the battery (8) out of the quick charger (9) by pressing and holding the unlocking button (15) and pulling the battery (8) off the quick charger (9).

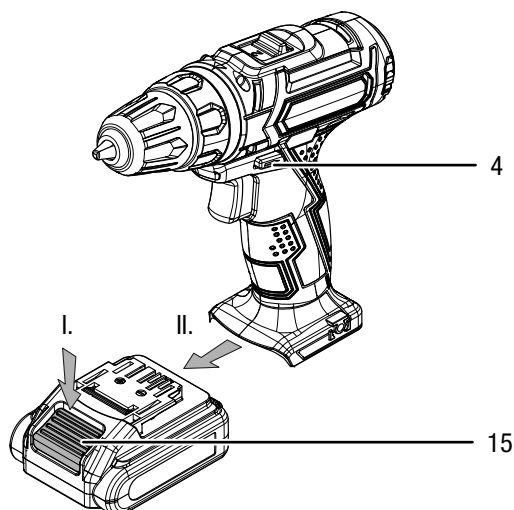
Inserting the battery

1. Set the switch for clockwise / counter-clockwise rotation (4) to centre position (lock).



Removing the battery

1. Set the switch for clockwise / counter-clockwise rotation (4) to centre position (lock).
2. Detach the battery (8) from the device by pressing and holding the unlocking button (15; I.) and pulling the battery off the device (II.).

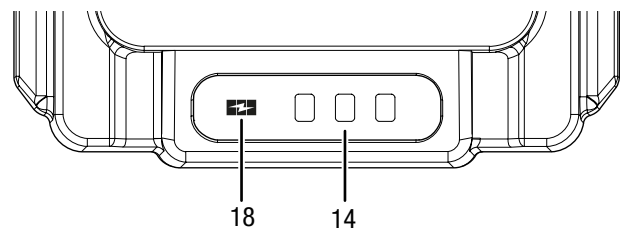


Checking the battery status

The battery status is displayed as follows by the three LEDs of the battery level indication (14):

LED colour	Meaning
Green – Orange – Red	maximum charge / power
Orange – Red	medium charge / power
Red	weak charge – Recharge the battery.

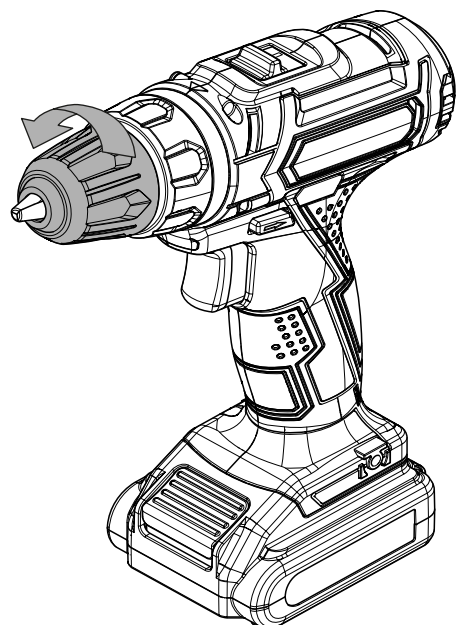
1. Press on the battery icon (18) on the battery (8).
⇒ You can read the battery status from the battery level indication (14).



Tool change

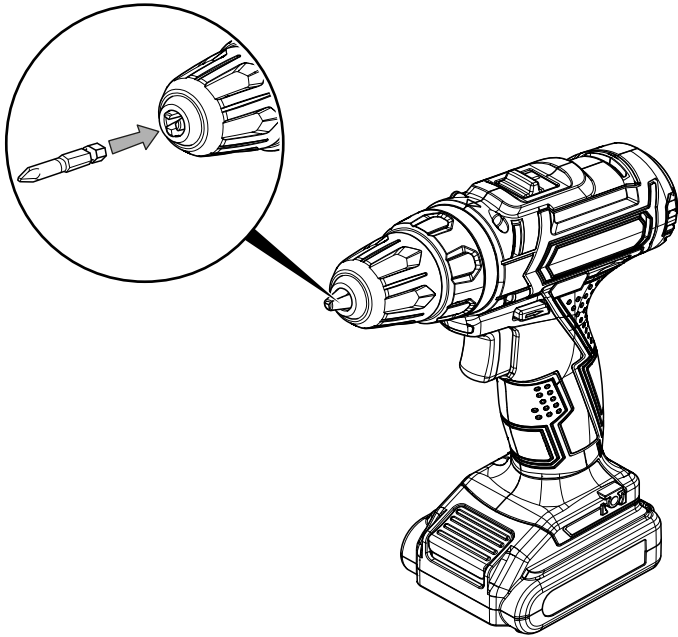
The device is equipped with a fully automatic spindle lock. When the tool is at a standstill, the motor's drive train is locked so that the keyless drill chuck can be opened. Please proceed as follows to remove or insert tools:

1. Set the switch for clockwise / counter-clockwise rotation (4) to centre position (lock).
2. Turn the keyless drill chuck (1) counter-clockwise to open it.



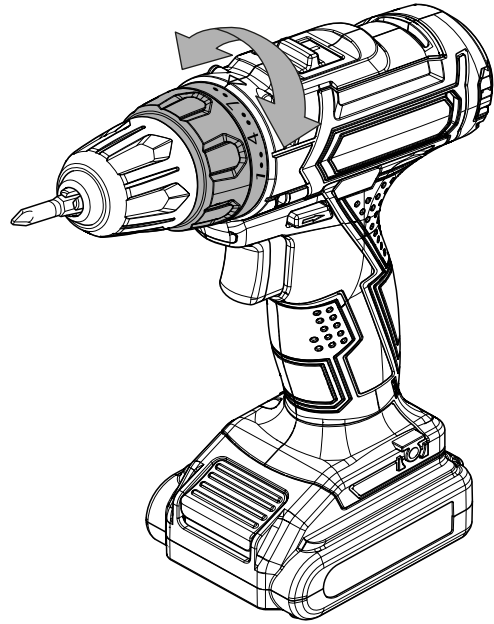
3. If required, charge the battery (8) as described in the section *Charging the battery*.

3. If necessary, take the (drill) bit out of the drill chuck.
4. Insert the appropriate (drill) bit into the drill chuck.

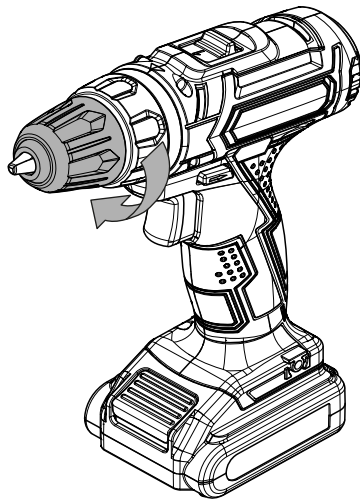



Torque selection / drilling setting

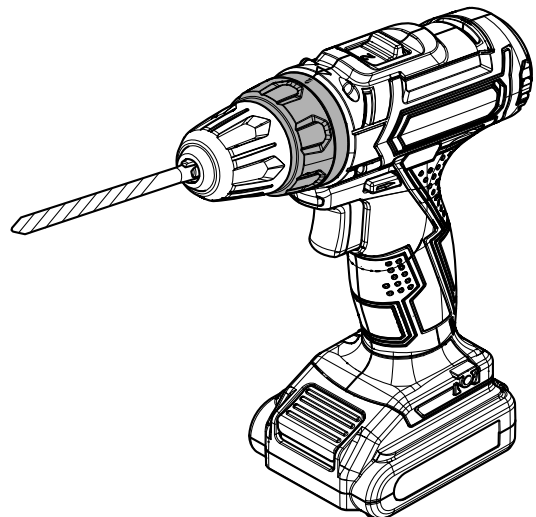
Using the torque selection, you can choose the desired, optimal torque setting.



5. Tighten the keyless drill chuck (1) by turning clockwise.



- Select a low torque for smooth-running screws or soft materials.
- Select a high torque for tight screws and hard materials as well as for unscrewing.
- For drilling, select the drilling setting indicated by the symbol .



Info

When unscrewing, note the setting of the rotational direction! On the clockwise / counter-clockwise rotation direction indicator (4) you can see in which direction the screws will be screwed.

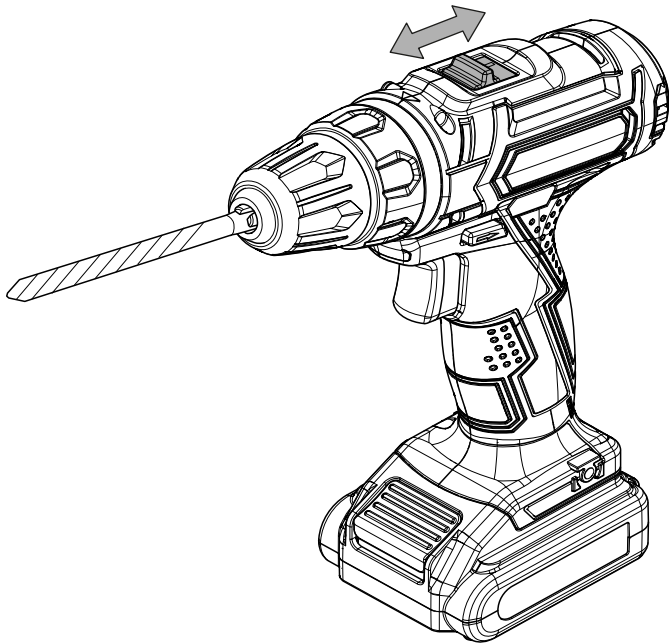
Do not use the drilling setting  for screwing!

Two-speed gear

Note

Only use the gear selection when the device is at a standstill! Otherwise the device might be damaged.

1. Slide the gear selection (3) to the desired position.

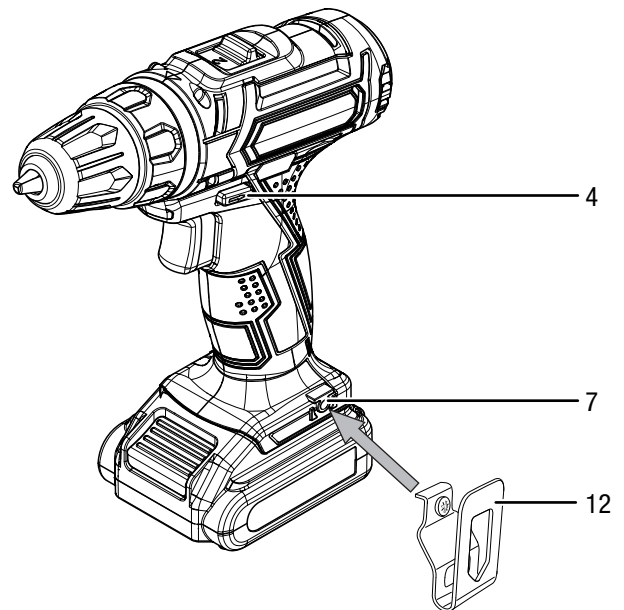


- ⇒ Speed level 1: Speed of up to 400 rpm, suitable for all screwing applications.
- ⇒ Speed level 2: Speed of up to 1400 rpm, suitable for drilling.

Mounting the belt clip

Optionally, you can mount the belt clip included in the scope of delivery to the device.

1. Set the switch for clockwise / counter-clockwise rotation (4) to centre position (lock).
2. Loosen the screw at the attachment (7) for the belt clip.
3. Fasten the belt clip (12) to the belt clip attachment (7) by means of the screw.



Operation

Tips and notes on handling the cordless drill driver

General information:

- Check the tool in the keyless drill chuck for correct fit before every application. It must be firmly locked and centred in the drill chuck.
- Screw bits are marked with their size and shape. If you are unsure, check whether the bit can be firmly tightened in the keyless drill chuck without clearance.
- The centre position of the clockwise/counter-clockwise rotation switch (lock) is suited for work breaks or (drill) bit exchange.

Screws:

- In case of soft wood, screws can be screwed in without pre-drilling.
- In case of hard wood or large screws, it is recommended to use a drill for pre-drilling.
- When using countersunk screws, the drill hole should be countersunk beforehand.
- Especially smaller screws and bits may be damaged when selecting an excessive torque and / or speed at the tool.

Drilling in general:

- Take short breaks regularly during drilling. When doing so, take the drill bit out of the drill hole so that the drill bit can cool down.
- Secure the workpiece in a tensioning device or vice.
- Select the speed depending on the material characteristics and the size of the drill bit:
 - High speed for small drilling diameter or soft material
 - Low speed for large drilling diameter or hard material
- Use a suitable aid to mark the intended location of the drill hole.
- Select a low speed for spudding.

Drilling in metal:

- Use suitable metal drill bits (e.g. drill bits made of *high-speed steel* (HSS)).
- For larger drilling diameters, use a smaller drill bit for pre-drilling.
- To achieve ideal results, the drill bit should be cooled with a suitable lubricant.
- Metal drill bits may also be used for drilling in plastic.

Drilling in wood:

- Use drill bits suitable for wood.
- Place a block of wood under the workpiece or drill in from both sides so that the wood cannot break off when it is being drilled through.
- Use a wood drill bit with centring tip. For deep drill holes, use an auger bit; for large drilling diameters, use a Forstner bit.

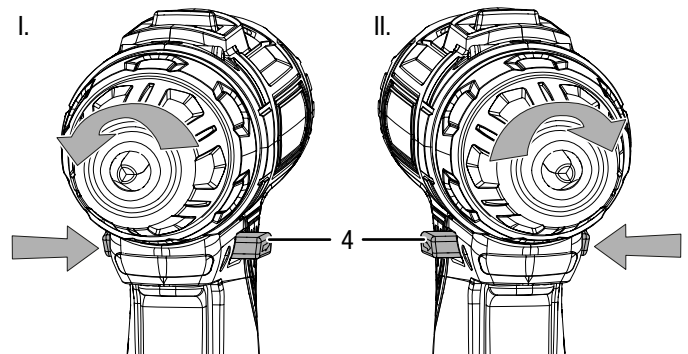
Selecting the rotational direction

Note

Only change the rotational direction when the device is at a standstill! Otherwise the device might be damaged.

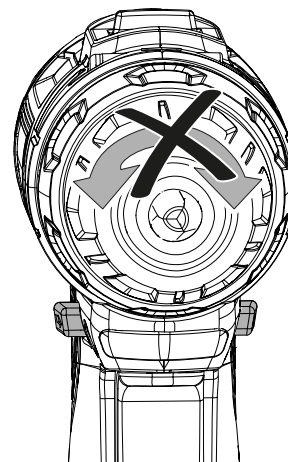
The motor's rotational direction can be changed by means of the switch for clockwise / counter-clockwise rotation (4).

1. Press the switch for clockwise / counter-clockwise rotation (4) in all the way on that side towards which the motor shall rotate.



I. Screwing in II. Unscrewing

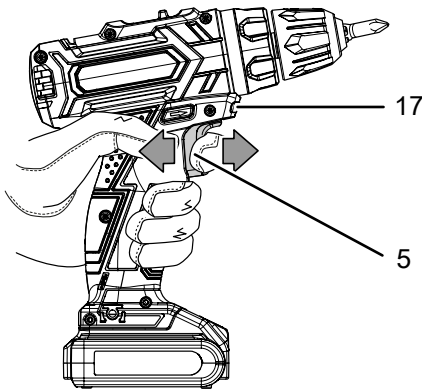
2. Carry out a short test run to see whether the rotational direction matches the intended application. A wrong rotational direction may damage the tool and / or workpiece.
3. If required, set the switch for clockwise / counter-clockwise rotation (4) to centre position (lock) to block the on/off switch (5).



Switching the device on and off

The device has an infinitely variable speed control. The more firmly you push the on/off switch (5), the higher is the speed.

1. Check whether the tool clamped in and the torque setting selected are suitable for the intended application.
2. Check whether the workpiece is secured and the worktop prepared correspondingly.
3. Press and hold the on/off switch (5) during screwing or drilling.
 - ⇒ The device operates with the previously selected settings.
 - ⇒ The LED work lamp (17) is illuminated.



4. Let go of the on/off switch (5) to stop the device.
 - ⇒ The LED work lamp (17) turns off.



Info

The motor has an integrated brake that quickly stops the motor once you let go of the on/off switch (5).

Shutdown

1. Set the switch for clockwise / counter-clockwise rotation (4) to centre position (lock).
2. If required, allow the device to cool down.
3. Remove the battery from the device (see Start-up chapter).
4. Remove the tool from the device (see Start-up chapter).
5. Clean the device according to the Maintenance chapter.
6. Store the device according to the Storage chapter.

Available accessories



Warning

Only use accessories and additional equipment specified in the operating manual. Using insertion tools or accessories other than those specified in the operating manual may cause a risk of injury.

Accessories	Article number
Spare battery Multiflex 2.0 Ah 16V	6.200.000.205
Screw bit set, 32-piece	6.200.001.001
Wood drill bit set, 15-piece	6.200.001.101
Metal drill bit set HSS, 15-piece	6.200.001.131

Errors and faults

The device has been checked for proper functioning several times during production. If malfunctions occur nonetheless, check the device according to the following list.

Troubleshooting tasks which require the housing to be opened must only be carried out by an authorized specialist electrical company or by Trotec.

Slight smoke or odour are emitted during first use:

- This is not a fault. These phenomena disappear after a brief runtime.

The battery does not charge:

- Check whether the battery is correctly connected to the quick charger.
 - Slide the battery into the quick charger in a way that the battery terminals engage in the quick charger. The battery must lock in place in the quick charger.
- Check the power connection.
- Check the power cable and mains plug for damages.
- Check the fuse (home).
- Check the quick charger for damages. Should the quick charger be damaged, stop using it. Contact the Trotec customer service.
- Check the battery terminals for dirt. Remove any dirt.
- The battery might be defective and have to be replaced. Only use batteries of the same type.

The device does not start:


- The battery power might be too low. Recharge the battery.
- Check whether the battery is correctly connected to the device.
Slide the battery onto the device in a way that the battery terminals engage. The battery must lock in place in the device.
- Check the position of the clockwise/counter-clockwise rotation switch. The switch must be pressed in all the way. If the clockwise/counter-clockwise rotation switch is in centre position (lock), the on/off switch is blocked.
- Check the battery terminals for dirt. Remove any dirt.



Info

Wait for at least 10 minutes before switching the device back on.

The drill bit does not penetrate / hardly penetrates the material:

- Check whether the correct torque setting is selected. The drilling setting  should be selected.
- If necessary, increase the speed by switching to a high speed level (2nd speed level).
- Check whether the correct drill bit is selected.
- Check whether the device is set to counter-clockwise rotation. For drilling, it is necessary to switch over to clockwise rotation.
- Check whether the characteristics of the material require the use of a hammer drill or impact drill.

The on/off switch cannot be pressed:

- Check whether the clockwise/counter-clockwise rotation switch is in centre position (lock). Set the desired rotational direction to unlock the tool.

Note

Wait for at least 3 minutes after maintenance and repair work. Only then switch the device back on.

Your device still does not operate correctly after these checks?

Please contact the customer service. If necessary, bring the device to an authorized specialist electrical company or to Trotec for repair.

Maintenance

Activities required before starting maintenance



Warning of electrical voltage

Do not touch the mains plug or the battery with wet or damp hands.

- Switch off the device.
- Allow the device to cool down completely.
- Remove the battery from the device.



Warning of electrical voltage

Maintenance tasks which require the housing to be opened must only be carried out by authorised specialist companies or by Trotec.

Notes on maintenance

Inside the device, there are no parts that need to be maintained or lubricated by the user.

Cleaning

The device should be cleaned before and after each use.

Note

The device does not have to be lubricated after cleaning.



Warning of electrical voltage

There is a risk of a short-circuit due to liquids penetrating the housing!

Do not immerse the device and the accessories in water. Make sure that no water or other liquids can enter the housing.

- Clean the device with a soft, damp and lint-free cloth. Ensure that no moisture enters the housing. Protect electrical components from moisture. Do not use any aggressive cleaning agents such as cleaning sprays, solvents, alcohol-based or abrasive cleaners to dampen the cloth.
- Dry the device with a soft, lint-free cloth.
- Dry the bits with a soft, lint-free cloth.
- Remove any drilling dust and, if applicable, wood chips from the keyless drill chuck.
- Keep the connecting terminals on the device and charger clean.
- Keep the ventilation openings free from dust deposits to prevent overheating of the motor.

Disposal



The icon with the crossed-out waste bin on waste electrical or electronic equipment stipulates that this equipment must not be disposed of with the household waste at the end of its life. You will find collection points for free return of waste electrical and electronic equipment in your vicinity. The addresses can be obtained from your municipality or local administration. For further return options provided by us please refer to our website www.trotec24.com.

The separate collection of waste electrical and electronic equipment aims to enable the re-use, recycling and other forms of recovery of waste equipment as well as to prevent negative effects for the environment and human health caused by the disposal of hazardous substances potentially contained in the equipment.



Li-Ion

In the European Union, batteries and accumulators must not be treated as domestic waste, but must be disposed of professionally in accordance with Directive 2006/66/EC of the European Parliament and of the Council of 6 September 2006 on batteries and accumulators. Please dispose of batteries and accumulators according to the relevant legal requirements.

Declaration of conformity

The text below sets out the contents of the declaration of conformity. The signed declaration of conformity can be found at <https://hub.trotec.com/?id=42024>.

Declaration of conformity

In accordance with the EC Machinery Directive 2006/42/EC, Annex II, part 1, Section A

Herewith, we – Trotec GmbH & Co. KG – declare that the machinery designated below was developed, constructed and produced in compliance with the requirements of the EC Machinery Directive in the version 2006/42/EC.

Product model / Product: PSCS 11-16V

Product type: cordless drill driver

Year of manufacture as of: 2018

Relevant EU directives:

- 2014/30/EU: 29 March 2014

Applied harmonised standards:

- EN ISO 12100:2010
- EN 55014-1:2006/A2:2011
- EN 55014-2:1997/A2:2008
- EN 60745-1:2009 + A11:2010
- EN 60745-2-1:2010
- EN 60745-2-2:2010

Applied national standards and technical specifications:

- AfPS GS 2014:01 PAK

Manufacturer and name of the authorised representative of the technical documentation:

Trotec GmbH & Co. KG

Grebbener Straße 7, D-52525 Heinsberg

Phone: +49 2452 962-400

E-mail: info@trotec.de

Place and date of issue:

Heinsberg, 30.03.2018

Detlef von der Lieck, Managing Director

Trotec GmbH & Co. KG

Grebener Str. 7
D-52525 Heinsberg

☎ +49 2452 962-400

☎ +49 2452 962-200

info@trotec.com

www.trotec.com