

PGGS 10-20 V NB

EN

INSTRUCTIONS
CORDLESS GLUE GUN



Table of contents

Information on the use of these instructions 2

Safety 2

Information about the device..... 7

Transport and storage..... 8

Start-up..... 9

Operation 11

Available accessories..... 12

Errors and faults..... 13

Maintenance 14

Disposal 14

Information on the use of these instructions

Symbols



Warning of electrical voltage

This symbol indicates dangers to the life and health of persons due to electrical voltage.



Warning of explosive substances

This symbol indicates dangers to the life and health of persons due to potentially explosive substances.



Warning

This signal word indicates a hazard with an average risk level which, if not avoided, can result in serious injury or death.



Caution

This signal word indicates a hazard with a low risk level which, if not avoided, can result in minor or moderate injury.

Notice

This signal word indicates important information (e.g. material damage), but does not indicate hazards.



Info

Information marked with this symbol helps you to carry out your tasks quickly and safely.



Follow the manual

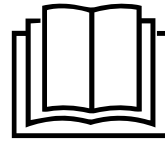
Information marked with this symbol indicates that the instructions must be observed.



Wear protective gloves

Information marked with this symbol indicates that you should wear protective gloves.

You can download the current version of the instructions and the EU declaration of conformity via the following link:



PGGS 10-20V NB



<https://hub.trotec.com/?id=44543>

Safety

General Power Tool Safety Warnings



Warning

Read all safety warnings, instructions, illustrations and specifications provided with this power tool.

Failure to follow all instructions listed below may result in electric shock, fire and/or serious injury.

Save all warnings and instructions for future reference.

This appliance can be used by children aged from 8 years and above and persons with reduced physical, sensory or mental capabilities or lack of experience and knowledge if they have been given supervision or instruction concerning use of the appliance in a safe way and understand the hazards involved.

The term *power tool* in the warnings refers to your mains-operated (corded) power tool or battery-operated (cordless) power tool.

 **General Power Tool Safety Warnings – Work area safety**

- **Keep work area clean and well lit.** Clutter or dark areas invite accidents.
- **Do not operate power tools in explosive atmosphere, such as in the presence of flammable liquids, gases or dust.** Power tools create sparks which may ignite the dust or fumes.
- **Keep children and bystanders away while operating a power tool.** Distractions can cause you to lose control.

 **General Power Tool Safety Warnings – Electrical safety**

- **Power tool plugs must match the outlet. Never modify the plug in any way. Do not use any adapter plugs with earthed (grounded) power tools.** Unmodified plugs and matching outlets will reduce risk of electric shock.
- **Avoid body contact with earthed or grounded surfaces, such as pipes, radiators, ranges and refrigerators.** There is an increased risk of electric shock if your body is earthed or grounded.
- **Do not expose power tools to rain or wet conditions.** Water entering a power tool will increase the risk of electric shock.
- **Do not abuse the cord. Never use the cord for carrying, pulling or unplugging the power tool. Keep cord away from heat, oil, sharp edges or moving parts.** Damaged or entangled cords increase the risk of electric shock.
- **When operating a power tool outdoors, use an extension cord suitable for outdoor use.** Use of a cord suitable for outdoor use reduces the risk of electric shock.
- **If operating a power tool in a damp location is unavoidable, use a residual current device (RCD) protected supply.** Use of an RCD reduces the risk of electric shock.

 **General Power Tool Safety Warnings – Personal safety**

- **Stay alert, watch what you are doing and use common sense when operating a power tool. Do not use a power tool while you are tired or under the influence of drugs, alcohol or medication.** A moment of inattention while operating power tools may result in serious personal injury.
- **Use personal protective equipment. Always wear eye protection.** Protective equipment such as a dust mask, non-skid safety shoes, hard hat or hearing protection used for appropriate conditions will reduce personal injuries.

- **Prevent unintentional starting. Ensure the switch is in the off-position before connecting to power source and/or battery pack, picking up or carrying the tool.** Carrying power tools with your finger on the switch or energising power tools that have the switch on invites accidents.
- **Remove any adjusting key or wrench before turning the power tool on.** A wrench or a key left attached to a rotating part of the power tool may result in personal injury.
- **Do not overreach. Keep proper footing and balance at all times.** This enables better control of the power tool in unexpected situations.
- **Dress properly. Do not wear loose clothing or jewellery. Keep your hair and clothing away from moving parts.** Loose clothes, jewellery or long hair can be caught in moving parts.
- **If devices are provided for the connection of dust extraction and collection facilities, ensure these are connected and properly used.** Use of dust collection can reduce dust-related hazards.
- **Do not let familiarity gained from frequent use of tools allow you to become complacent and ignore tool safety principles.** A careless action can cause severe injury within a fraction of a second.

 **General Power Tool Safety Warnings – Power tool use and care**

- **Do not force the power tool. Use the correct power tool for your application.** The correct power tool will do the job better and safer at the rate for which it was designed.
- **Do not use the power tool if the switch does not turn it on and off.** Any power tool that cannot be controlled with the switch is dangerous and must be repaired.
- **Disconnect the plug from the power source and/or remove the battery pack, if detachable, from the power tool before making any adjustments, changing accessories, or storing power tools.** Such preventive safety measures reduce the risk of starting the power tool accidentally.
- **Store idle power tools out of the reach of children and do not allow persons unfamiliar with the power tool or these instructions to operate the power tool.** Power tools are dangerous in the hands of untrained users.
- **Maintain power tools and accessories. Check for misalignment or binding of moving parts, breakage of parts and any other condition that may affect the power tool's operation. If damaged, have the power tool repaired before use.** Many accidents are caused by poorly maintained power tools.

- **Keep cutting tools sharp and clean.** Properly maintained cutting tools with sharp cutting edges are less likely to bind and are easier to control.
- **Use the power tool, accessories and tool bits etc. in accordance with these instructions, Take into account the working conditions and the work to be performed.** Use of the power tool for operations different from those intended could result in a hazardous situation.
- **Keep handles and grasping surfaces dry, clean and free from oil and grease.** Slippery handles and grasping surfaces do not allow for safe handling and control of the tool in unexpected situations.

General Power Tool Safety Warnings – Battery tool use and care

- **Recharge only with charger specified by the manufacturer.** A charger that is suitable for one type of battery pack may create a risk of fire when used with another battery pack.
- **Use power tools only with specifically designed battery packs.** Use of any other battery packs may create a risk of injury and fire.
- **When battery pack is not in use, keep it away from other metal objects, like paper clips, coins, keys, nails, screws or other small metal objects, that can make a connection from one terminal to another.** Shorting the battery terminals together may cause burns or a fire.
- **Under abusive conditions, liquid may be ejected from the battery; avoid contact. If contact accidentally occurs, flush with water. If liquid contacts eyes, additionally seek medical help.** Liquid ejected from the battery may cause irritation or burns.
- **Do not use a battery pack or tool that is damaged or modified.** Damaged or modified batteries may exhibit unpredictable behaviour resulting in fire, explosion or risk of injury.
- **Do not expose a battery pack or tool to fire or excessive temperature.** Exposure to fire or temperature above 130 °C may cause explosion.
- **Follow all charging instructions and do not charge the battery pack or tool outside the temperature range specified in the instructions.** Charging improperly or at temperatures outside the specified range may damage the battery and increase the risk of fire.



General Power Tool Safety Warnings – Service

- **Have your power tool serviced by a qualified repair person using only identical replacement parts.** This will ensure that the safety of the power tool is maintained.
- **Never service damaged battery pack.** Service of battery packs should only be performed by the manufacturer or authorized service providers.



General Power Tool Safety Warnings – Charger use and care

- **This charger can be used by children aged from 8 years and above and persons with reduced physical, sensory or mental capabilities or lack of experience and knowledge if they have been given supervision or instruction concerning use of the appliance in a safe way and understand the hazards involved. Children shall not play with the appliance.** Cleaning and user maintenance shall not be made by children without supervision.
- **Never insert non-rechargeable batteries into the charger.** A charger that is suitable for one type of battery pack may create a risk of fire and explosion, when used with another battery pack or non-rechargeable batteries.
- **Only charge the Li-Ion battery "Multiflex 20 – 2.0 DC" (capacity of 2.0 Ah = 5 battery cells) with the charger "Multiflex 20 – 2.0 AC".** The battery voltage must match the battery charging voltage of the charger.



Device-specific safety warnings for glue guns

- **Only place the device on fireproof, non-heat-conducting and solid surfaces.** The heat generated by the device during operation entails a risk of fire.
- **Do not use flammable solvents for cleaning the areas to be glued.** Fire hazard.
- **Do not touch the nozzle or the glue stick.** The nozzle and the glue stick can reach temperatures exceeding 180 °C.
- **Do not allow hot glue to come into contact with people or animals.** In case of skin contact immediately hold the affected area under a jet of cold water for several minutes. Do not try to remove the glue from your skin.
- **Do not pull the glue stick out of the nozzle.** Touching hot glue can cause severe burns and the power tool can be damaged.
- **Never use the glue gun at ambient temperatures below 5 °C or above 50 °C.**

- **Do not use the glue gun in an environment with direct, cold wind.** The device's efficiency decreases and energy is lost.
- **In case of continued use, do not apply excessive pressure on the trigger.** The glue gun can be damaged.
- **Tasks which require the housing to be opened must only be carried out by authorised specialist companies.**
- **If the glue escapes towards the rear, stop using the tool immediately!** Have it cleaned by a specialist company before further use.

Intended use

Only use the device PGGS 10-20V NB for bonding wood, cardboard, packaging material, leather, ceramic, glass, carpet, seals, plastic, fabric, cork and metal using hot-melt glue whilst adhering to the technical data. The workpieces to be bonded must be clean, dry and free of grease.

We recommend using the power tool with original accessories from the manufacturer.

Any use other than the intended use is regarded as misuse.

Reasonably foreseeable misuse

The device is not suited for

- bonding heat-sensitive materials such as soft PVC, styrofoam and other foams.
- treating large surfaces.

Personnel qualification

People who use this device must:

- have read and understood the instructions, especially the Safety chapter.

Safety signs and labels on the battery and the charger

Notice

Do not remove any safety signs, stickers or labels from the device. Keep all safety signs, stickers and labels in legible condition.

The following safety signs and labels are attached to the battery:



Warning of explosion risk!

These symbols indicate the following:



Do not expose the battery pack or tool to fire or excessive temperature! Do not let the battery come into contact with water or fire! Avoid direct sunlight and moisture. There is a risk of explosion!

Never charge the battery at ambient temperatures below 10 °C or above 40 °C. Charging improperly or at temperatures outside the specified range may damage the battery and increase the risk of fire.



Observe the correct disposal of the battery!

This symbol indicates the following:

Ensure that the battery is disposed of correctly and never dispose of it in waste water or public waters. The battery contains irritating, caustic and toxic substances that pose significant risks to people and the environment.

The following safety signs and labels are attached to the charger:



This symbol indicates the following:

Read the instructions or operating manual before charging the battery.



This symbol indicates the following:

Only use the charger for charging the battery in dry interior spaces. Do not charge the device outdoors.

Personal protective equipment



Wear protective gloves.

They protect your hands from burns, crushing injuries and skin abrasions.

Residual risks**Warning of electrical voltage**

Electric shock due to insufficient insulation!
Check the device for damages and proper functioning before each use.
If you detect damages, do not use the device any longer.
Do not use the device when either the device or your hands are damp or wet!

**Warning of electrical voltage**

Work on the electrical components must only be carried out by an authorised specialist company!

**Warning of electrical voltage**

Before any work on the device, remove the mains plug from the mains socket and the battery from the device!
Do not touch the mains plug with wet or damp hands.
Hold onto the mains plug while pulling the power cable out of the mains socket.

**Warning of electrical voltage**

There is a risk of a short-circuit due to liquids penetrating the housing!
Do not immerse the device and the accessories in water. Make sure that no water or other liquids can enter the housing.

**Warning of explosive substances**

Do not expose the battery to temperatures above 45 °C! Do not let the battery come into contact with water or fire! Avoid direct sunlight and moisture. There is a risk of explosion!

**Warning of hot surface**

The nozzle might still be hot after use. Burn hazard when touching the nozzle.
Do not touch the nozzle bare-handed!
Wear protective gloves!

**Warning**

Do not process materials containing asbestos. Asbestos is considered carcinogenic.

**Warning**

Dangers can occur at the device when it is used by untrained people in an unprofessional or improper way!
Observe the personnel qualifications!

**Warning**

The device is not a toy and does not belong in the hands of children.

**Warning**

Risk of suffocation!
Do not leave the packaging lying around. Children may use it as a dangerous toy.

**Caution**

Keep a sufficient distance from heat sources.

Notice

If you store or transport the device improperly, the device may be damaged.
Note the information regarding transport and storage of the device.

Behaviour in the event of an emergency / emergency stop function

Emergency stop:

Removing the battery results in the function of the device stopping immediately. Leave the battery out in order to secure the device against accidental switch-on.

Behaviour in the event of an emergency:

1. Switch the device off.
2. In the event of an emergency, remove the battery from the device: Hold the release button of the battery and pull the battery off the device as described in chapter "Removing the battery".
3. Do not insert the battery if the device is defective.

Information about the device

Device description

The device PGGGS 10-20V NB is a cordless glue gun for repairs and tinkering. The device is suitable for bonding wood, plastic, textiles, cardboard, paper, ceramic, leather, cork, glass and metal.

The device allows for a working time of approx. one hour. The automatic switch-off after 10 minutes helps you to save energy during work breaks.

The dripping protection provides for clean working.

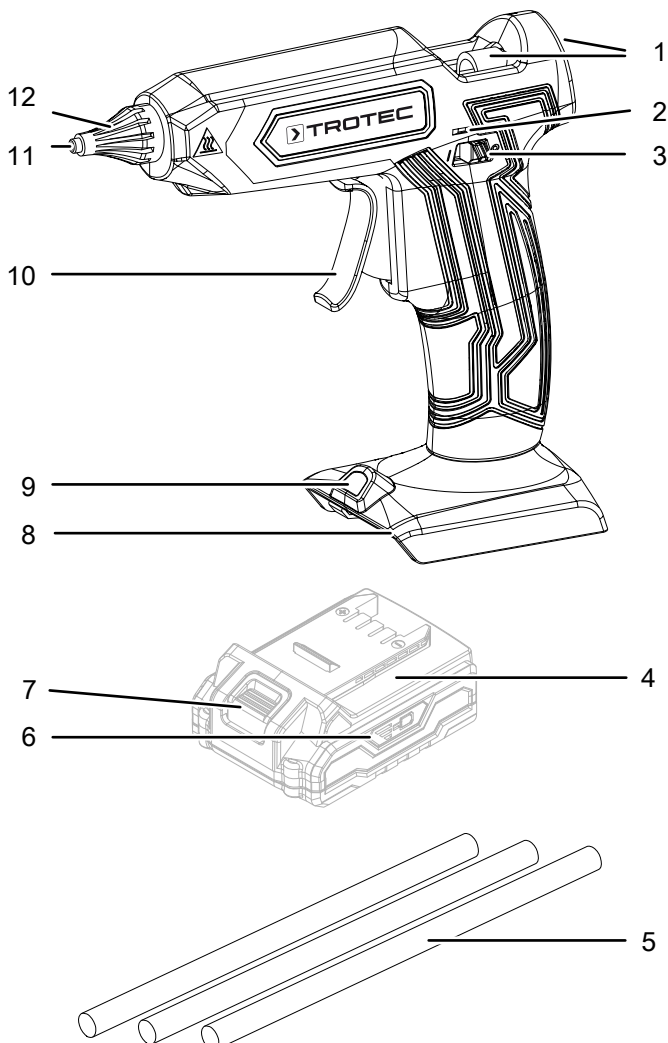
The heating time is approx. 2.5 minutes.

The integrated LED work light offers an improved illumination of the operating range.

The device is compatible with the Multiflex battery 20 V 2 Ah and its quick charger Multiflex 20 – 2.0 AC. The battery and the quick charger are not included in the scope of delivery.

The optional battery comes with its own battery level indication. As a result, you can check the current charging status without having to connect it to the device.

Device depiction

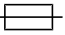



No.	Designation
1	Feed channel
2	Status LED
3	On/off switch
4	Battery
5	Glue stick
6	3-stage battery level indication
7	Release button
8	Battery holder
9	LED work light
10	Feed trigger
11	Nozzle
12	Heat protection cover of the nozzle

Scope of delivery

- 1 x Device PGGGS 10-20V NB
- 3 x Glue stick, length: 150 mm, diameter: 11 mm (transparent)
- 1 x Transport case
- 1 x Manual

Technical data

Parameter	Value
Model	PGGS 10-20V NB
Nominal voltage	20 V ---
Ambient temperature charging	0 °C to 45 °C
Ambient temperature working	15 °C to 75 °C
Melting point	180 °C
Glue stick	Diameter 11 mm
	Length 150 mm
Heating time	approx. 2.5 min
Working time with one battery charge	approx. 60 min
Weight	0.8 kg
Battery	Multiflex 20 – 2.0 DC
Type	Li-ion
Nominal voltage	20 V ---
Nominal capacity	2 Ah
Rechargeable cells	5 cells
Capacity	40 Wh
Quick charger	Multiflex 20 – 2.0 AC
Input	
Nominal voltage	230 – 240 V / 50 Hz
Power consumption	65 W
Output	
Nominal voltage	21.5 V ---
Charging current	2.4 A
Fusing 	3.15 A (slow-blowing)
Charging time	1 h
Protection class	II (double insulation) / 

Transport and storage

Notice

If you store or transport the device improperly, the device may be damaged.

Note the information regarding transport and storage of the device.

Transport

For transporting the device, use the transport case included in the scope of delivery in order to protect the device from external influences.

Before transporting the device, observe the following:

- Switch off the device.
- Hold onto the mains plug while pulling the power cable of the charger out of the mains socket.
- Allow the device to cool down.
- Remove the battery from the device.

The supplied Li-ion batteries are subjects to the requirements of dangerous goods legislation.

Observe the following when transporting or shipping Li-ion batteries:

- The user may transport the batteries by road without any additional requirements.
- If transport is carried out by third parties (e.g. air transport or forwarding company), special requirements as to packaging and labelling must be observed. This includes consulting a dangerous goods specialist when preparing the package.
 - Only ship batteries if their housing is undamaged.
 - Mask open terminals with tape and pack the battery in a way that it cannot move inside the packaging.
 - Please also observe any other national regulations.

Storage

Before storing the device, proceed as follows:

- Switch off the device.
- Hold onto the mains plug while pulling the power cable of the charger out of the mains socket.
- Allow the device to cool down.
- Remove the battery from the device.
- Clean the device as described in the Maintenance chapter.
- For storing the device, use the transport case included in the scope of delivery in order to protect the device from external influences.
- Do not store Li-ion batteries which are completely discharged. Storing discharged batteries can lead to a deep discharge and thus damage the battery.

When the device is not being used, observe the following storage conditions:

- Dry and protected from frost and heat
- Ambient temperature below 45 °C
- Protected from dust and direct sunlight inside the transport case

Start-up

Unpacking the device

- Take the transport case out of the packaging.



Warning of electrical voltage

Electric shock due to insufficient insulation!
Check the device for damages and proper functioning before each use.

If you detect damages, do not use the device any longer.

Do not use the device when either the device or your hands are damp or wet!

- Check the scope of delivery for completeness and look for damages.



Warning

Risk of suffocation!

Do not leave the packaging lying around. Children may use it as a dangerous toy.

- Dispose of the packaging material according to the national regulations.

Charging the battery

Notice

The battery can be damaged in case of improper charging.

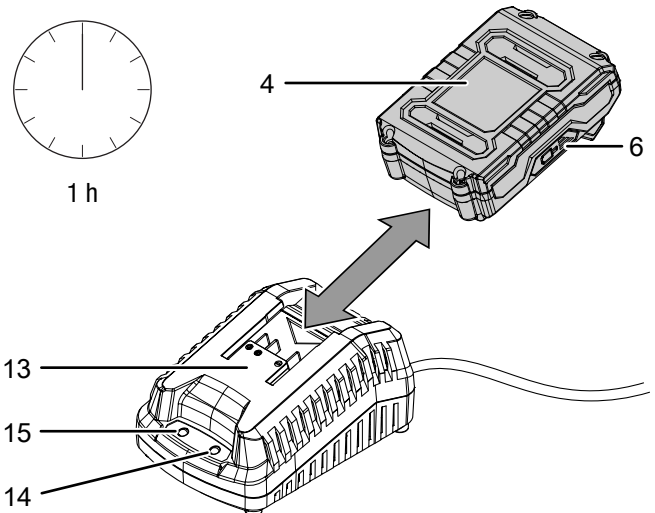
Remove the charger's mains plug before inserting or removing the battery.

Never charge the battery at ambient temperatures below 10 °C or above 40 °C.

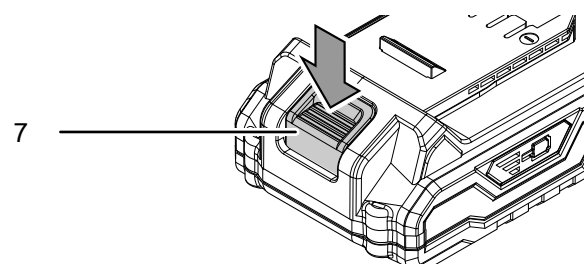
The battery is partially charged upon delivery to avoid damage to the battery caused by a deep discharge.

Prior to initial start-up and when the battery is low (only the red LED in the battery level indication (6) is illuminated), the battery should be charged. To do so, please proceed as follows:

1. Slide the battery (4) onto the quick charger (13) as depicted until the battery locks in place.

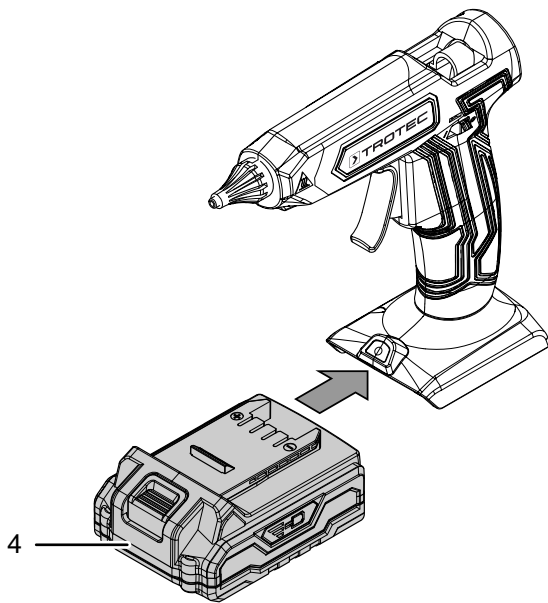


2. Insert the mains plug of the quick charger (13) into a properly fused mains socket.
 - ⇒ The red battery LED (14) lights up.
3. Wait until the red battery LED (14) goes off and the green battery LED (15) lights up.
 - ⇒ The battery (4) is fully charged.
4. Hold onto the mains plug while pulling the power cable of the quick charger (13) out of the mains socket.
 - ⇒ The battery (4) and the quick charger (13) may have become warm during charging.
 - Allow the battery (4) to cool down to room temperature.
5. Take the battery (4) out of the quick charger (13) by pressing and holding the release button (7) and pulling the battery (4) off the quick charger (13).



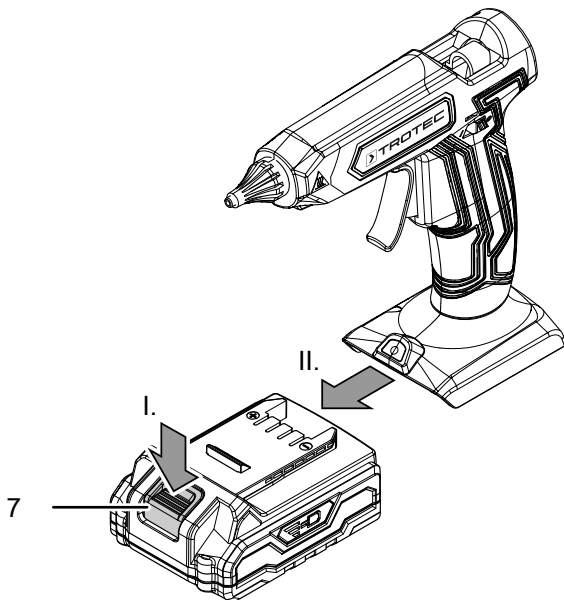
Inserting the battery

1. Slide the battery (4) into the battery holder (8) until it locks in place.



Removing the battery

1. Detach the battery (4) from the device by pressing and holding the unlocking button (7, I.) and pulling the battery off the device (II.).

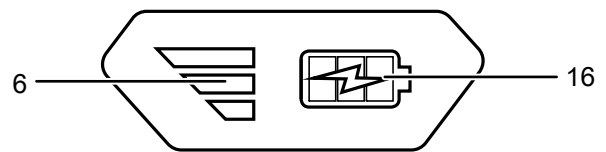


Checking the battery charging status

The battery comes with an integrated battery level indication. The battery status is displayed as follows by the three LEDs of the battery level indication (6):

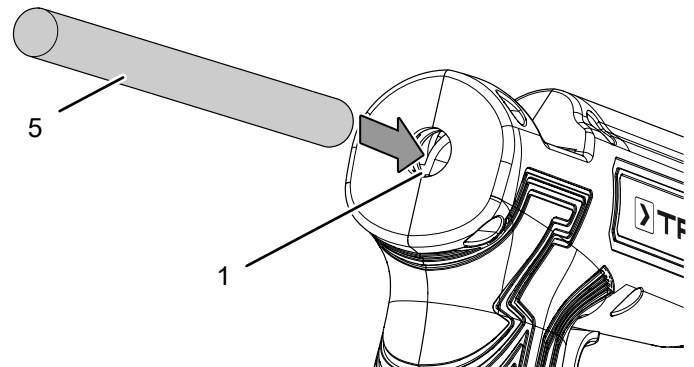
LED colour	Meaning
Green – Orange – Red	maximum charge / power
Orange – Red	medium charge / power
Red	weak charge – recharge the battery

1. Press on the battery icon (16) on the battery (4).
⇒ You can read the battery status from the battery level indication (6).



Inserting a glue stick

1. Push a glue stick (5) into the feed channel (1).



2. If required, charge the battery (4) as described in the section *Charging the battery*.

Operation

Tips and notes on handling the glue gun

General information:

- Degrease metallic surfaces before gluing. Processing machines often leave oil residues.
- The glue cannot be completely removed from textiles. Due to its high melting point, even hot washing does not remove the glue.
- Moisture can make the glue joint come undone.
- If required, use special glue sticks for different types of material.
- If your skin comes into contact with hot glue, immediately hold the affected area under a jet of cold water for several minutes.
- The materials to be bonded and the surface on which you are working must neither be highly flammable nor combustible.
- When working with heat-sensitive materials, use a sample to test whether the material is suited for hot gluing.

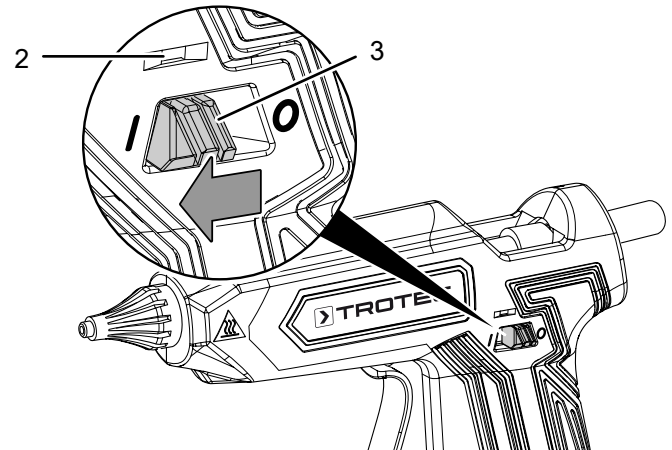
Gluing:

- Apply the glue in zigzag lines when working with flexible materials such as textiles.
- Heat up quickly cooling materials such as steel e.g. using a heat gun to improve the adhesive bonding.
- Briefly press the workpieces together by hand after gluing. A clamping device is not required.
- You can use the device for point gluing or seam gluing.
- Glue joints can be dissolved again by heating.
- Glue residues can easily be removed from the nozzle after the tool has cooled down.
- After cooling, remove the glue residues ideally with a sharp knife.
- The glue joints can be painted.
- Roughen smooth surfaces before gluing.

Switching the device on and off

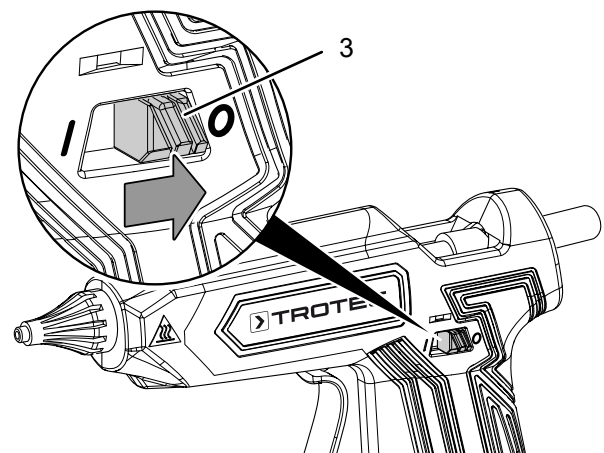
Wear your personal protective equipment when working with the device.

1. Slide the on/off switch (3) to position **I**.
⇒ The status LED (2) is illuminated in red.



- ⇒ The glue is being heated.
- ⇒ Once the device has reached its operating temperature, the status LED (2) lights up in green.

2. To switch the device off, slide the on/off switch (3) to position **0**.



Automatic switch-off

The automatic switch-off after 10 minutes helps you to save energy during work breaks. Only switch on the device when you actually use it.

1. Switch the device back on using the on/off switch (3) and check the status LED or the battery level indication to see whether the device needs to be charged or heated up.

Gluing



Warning of hot surface

The nozzle might still be hot after use. Glue coming out of the nozzle can be hot. Risk of burns.
Do not touch the nozzle bare-handed!
Wear protective gloves!



Info

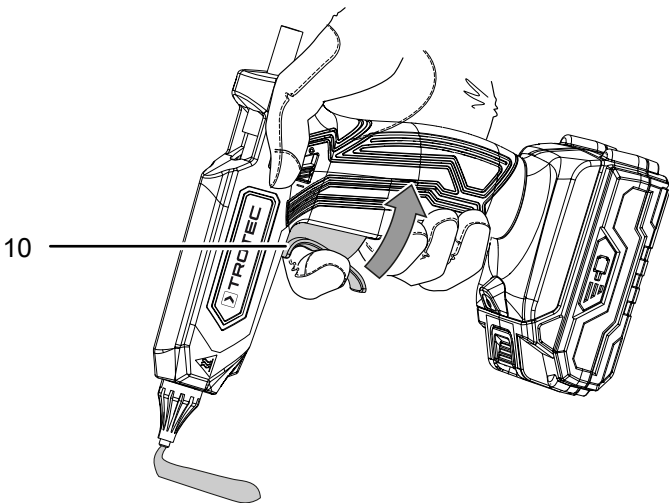
When further glue sticks are pushed in, the device requires a little more time for heating up than during initial use. Hardened glue residues can block the feed channel.



Info

The surfaces to be glued must be clean, dry and free of grease.

1. Allow the glue gun to heat up. Push a glue stick suitable for the material into the feed channel (1) from the rear.
2. Pull the feed trigger (10) to control the flow of glue for the intended task.



3. Apply the glue in dots or lines.
4. Immediately press the two workpieces to be bonded together for approx. 30 seconds.
 - ⇒ After approx. 5 minutes the glue joint will be able to withstand loads.

Shutdown



Warning of electrical voltage

Do not touch the mains plug with wet or damp hands.

- Switch off the device.
- Hold onto the mains plug while pulling the power cable of the charger out of the mains socket.
- If required, allow the device to cool down.
- Remove the battery from the device (see Start-up chapter).
- Clean the device according to the Maintenance chapter.
- Store the device according to the Transport and storage chapter.

Available accessories



Warning

Only use accessories and additional equipment specified in the instructions.
Using insertion tools or accessories other than those specified in the instructions may cause a risk of injury.

Designation	Article number
Multiflex 20V 2.0 Ah spare battery	6.200.000.303
Multiflex 20V 4.0 Ah spare battery	6.200.000.320
Glue sticks Ø 11 mm / 150 mm set 1, transparent	6.230.001.102
Glue sticks Ø 11 mm / 150 mm set 2, coloured	6.230.001.111
Glue sticks Ø 11 mm / 150 mm set 3, glitter	6.230.001.121
Charger for Multiflex 20V 2.0 Ah battery	7.430.000.261

Errors and faults

The device has been checked for proper functioning several times during production. If malfunctions occur nonetheless, check the device according to the following list.

Troubleshooting tasks which require the housing to be opened must only be carried out by an authorized specialist electrical company or by the manufacturer.

Notice

Wait for at least 3 minutes after maintenance and repair work. Only then switch the device back on.

Light smoke or odour is emitted during the first use:

- This is not a fault. These phenomena disappear after a brief runtime.

The battery does not charge:

- Check whether the battery is inserted correctly in the quick charger.

Slide the battery into the quick charger in a way that the battery terminals engage in the quick charger. The battery must lock in place in the quick charger.

- Check the power connection.
- Check the power cable and mains plug for damage.
- Check the on-site fusing.
- Check the quick charger for damage. If the quick charger is damaged, stop using it. Please contact the manufacturer.
- Check the battery terminals for dirt. Remove any dirt.
- The battery might be defective and have to be replaced. Only use batteries of the same type.

The device does not start:

- The battery power might be too low. Recharge the battery.
- Check whether the battery is correctly connected to the device.

Slide the battery onto the device in a way that the battery terminals engage. The battery must lock in place in the device.

- Check the battery terminals for dirt. Remove any dirt.

The glue stick is not transported:

- The glue stick may be used up or too short. Insert a new glue stick. Only use suitable accessories / glue sticks as specified in the technical data.
- The glue stick diameter may be too large or too small. Only use suitable accessories / glue sticks as specified in the technical data.

The glue stick falls out of the device:

- The glue stick diameter is too small. Only use suitable accessories / glue sticks as specified in the technical data.

Liquid glue comes out of the feed channel:

- The glue stick diameter is too small and / or the melting point of the glue stick is too low. Only use suitable accessories / glue sticks as specified in the technical data.

The glue does not come out evenly:

- The device may not have reached the melting point yet. Allow the device to heat up completely.
- Pull the feed trigger slowly and evenly.

The glue only bonds on one side:

- The glue may have cooled down before you have pressed the workpieces together. Press the workpieces to be bonded together immediately. Heat up quickly cooling materials with a heat gun. Apply the glue in dots if necessary.

The glue comes undone after cooling:

- The surfaces may be greasy, smooth or dusty. You should degrease, roughen or clean the surfaces.
- The material may not be suitable for bonding with hot-melt glue. Use special glue sticks.

Glued shoe soles come undone:

- Moisture causes the leather to swell. Use special glue sticks.

Glue residues (strands) form:

- The feed trigger is held after gluing is completed. Let go of the feed trigger in time.
- Wipe off the nozzle when lifting it off the workpiece.

The workpiece melts:

- The workpiece consists of heat-sensitive material, e.g. styrofoam, and is not suitable for bonding with hot-melt glue. Use special glue sticks.

You suffer burns on your fingers during gluing:

- The glue may penetrate through paper or textiles. Wear protective gloves when working with the glue gun. If necessary, use a heat-resistant pad, e.g. made of silicone.
- The workpiece consists of metal and may have heated up. Wear protective gloves when working with the glue gun.

The device still does not operate correctly after these checks:

Please contact the customer service. If necessary, bring the device to an authorised specialist electrical company or to the manufacturer for repair.

Maintenance

Activities required before starting maintenance



Warning of electrical voltage

Do not touch the mains plug or the battery with wet or damp hands.

- Switch the device off.
- Allow the device to cool down completely.
- Remove the battery from the device.



Warning of electrical voltage

Maintenance tasks which require the housing to be opened must only be carried out by authorised specialist companies or by the manufacturer.

Notes on maintenance

Inside the device, there are no parts that need to be maintained or lubricated by the user.

Cleaning

The device should be cleaned before and after each use.

Notice

The device does not have to be lubricated after cleaning.



Warning of electrical voltage

There is a risk of a short-circuit due to liquids penetrating the housing!

Do not immerse the device and the accessories in water. Make sure that no water or other liquids can enter the housing.

- Clean the device with a soft, damp and lint-free cloth. Make sure that no moisture enters the housing. Protect electrical components from moisture. Do not use any aggressive cleaning agents such as cleaning sprays, solvents, alcohol-based or abrasive cleaners to dampen the cloth.
- Dry the device with a soft, lint-free cloth.
- Keep the connecting terminals on the device and charger clean.

Disposal

Always dispose of packing materials in an environmentally friendly manner and in accordance with the applicable local disposal regulations.



The icon with the crossed-out wheeled bin indicates that this device and any associated components (e.g. remote controls) must not be disposed of with household waste at the end of their life, in accordance with the Waste Electrical and Electronic Equipment Directive (2012/19/EU) and national laws.

You will find collection points for free return of waste electrical and electronic equipment in your vicinity. The addresses can be obtained from your municipality or local administration. You can also find out about other return options that apply for many EU countries on the website <https://hub.trotec.com/?id=45090>. Otherwise, please contact an official recycling centre for electronic and electrical equipment authorised for your country.

The separate collection of waste electrical and electronic equipment aims to enable the re-use, recycling and other forms of recovery of waste equipment as well as to prevent negative effects for the environment and human health caused by the disposal of hazardous substances potentially contained in the equipment.



This icon with the crossed-out wheeled bin indicates that lithium-ion batteries must not be disposed of with household waste at the end of their life. To prevent environmental pollution, do not carelessly leave batteries or electrical and electronic equipment containing batteries in public areas. In the European Union, batteries and accumulators must be returned to a designated collection point in accordance with REGULATION (EU) 2023/1542 OF THE EUROPEAN PARLIAMENT AND OF THE COUNCIL of 12 July 2023 concerning batteries and waste batteries. Remove batteries/accumulators and dispose of them separately according to the relevant legal requirements.

Only for United Kingdom

According to Waste Electrical and Electronic Equipment Regulations 2013 (SI 2013/3113) (as amended) and the Waste Batteries and Accumulators Regulations 2009 (SI 2009/890) (as amended), devices that are no longer usable must be collected separately and disposed of in an environmentally friendly manner.

Trotec GmbH

Grebener Str. 7
D-52525 Heinsberg

☎ +49 2452 962-400

☎ +49 2452 962-200

✉ info@trotec.com

www.trotec.com