

PJSS 10-20V

EN

ORIGINAL
INSTRUCTIONS
CORDLESS PENDULUM
ACTION JIGSAW



 TROTEC

Table of contents

Notes regarding the operating manual..... 1

Safety 2

Information about the device..... 7

Transport and storage..... 10

Start-up..... 11

Operation 17

Available accessories..... 19


Errors and faults..... 19


Maintenance 20


Disposal 20


Notes regarding the operating manual

Symbols


 **Warning of electrical voltage**
This symbol indicates dangers to the life and health of persons due to electrical voltage.


 **Warning of explosive substances**
This symbol indicates dangers to the life and health of persons due to potentially explosive substances.

 **Warning of hot surface**
This symbol indicates dangers to the life and health of persons due to hot surface.

 **Warning of sharp object**
This symbol indicates dangers to the life and health of persons due to pointed objects.

 **Warning of hand injuries**
This symbol indicates dangers to the health of persons due to hand injuries.

 **Warning**
This signal word indicates a hazard with an average risk level which, if not avoided, can result in serious injury or death.

 **Caution**
This signal word indicates a hazard with a low risk level which, if not avoided, can result in minor or moderate injury.

Notice

This signal word indicates important information (e.g. material damage), but does not indicate hazards.



Info

Information marked with this symbol helps you to carry out your tasks quickly and safely.



Follow the manual

Information marked with this symbol indicates that the operating manual must be observed.



Wear ear protection

Information marked with this symbol indicates that you should wear hearing protection.



Wear safety glasses

Information marked with this symbol indicates that you should wear eye protection.



Wear a protective mask

Information marked with this symbol indicates that you should wear a protective mask.



Wear protective gloves

Information marked with this symbol indicates that you should wear protective gloves.

You can download the current version of the operating manual and the EU declaration of conformity via the following link:



PJSS 10-20V



<http://hub.trotec.com/?id=39926>

Legal notice

This release replaces all previous versions. No part of this publication may be reproduced without written permission from Trotec GmbH & Co. KG. The same applies for electronically processing, duplicating or spreading the publication. Subject to technical changes. All rights reserved. Trademarks are used without guarantee that they may be used freely and primarily following the spelling of the manufacturer. Product names are registered.

Changes to construction in the interests of constant improvements to the product, as well as changes to the shape and colour are reserved.

The scope of delivery may vary from product images. This document was created with all due care.

Trotec GmbH & Co. KG accepts no liability whatsoever for possible mistakes or omissions.

© Trotec GmbH & Co. KG

Warranty and liability

The device complies with the fundamental health and safety requirements of the applicable EU regulations and was tested at the factory for perfect functionality multiple times.

However, if faults in the functionality occur and cannot be remedied with the measures in the chapter Errors and faults, please get in touch with your dealer or distributor.

When making a warranty claim, supply the device number (see the side of the device).

When manufacturer's instructions or legal regulations have not been followed, or after unauthorised changes to the device are made, the manufacturer is not responsible for the resulting damages. Changes to the device or unauthorised replacement of individual parts can drastically impact the electrical safety of this product and will result in the loss of the warranty. Liability does not extend to damages to people or property caused by the device being used other than as described in the instructions in this operating manual. Subject to changes to technical design and model changes as part of constant development and product improvement without prior notice.

No liability is accepted for damages resulting from improper use. In such a case, any warranty claims will be voided also.

Safety

Read this manual carefully before starting or using the device. Always store the manual in the immediate vicinity of the device or its site of use!



Warning

Read all safety warnings and all instructions.

Failure to follow the warnings and instructions may result in electric shock, fire and / or serious injury.

Save all warnings and instructions for future reference.

This appliance can be used by children aged from 8 years and above and persons with reduced physical, sensory or mental capabilities or lack of experience and knowledge if they have been given supervision or instruction concerning use of the appliance in a safe way and understand the hazards involved.

Children shall not play with the appliance. Cleaning and user maintenance shall not be made by children without supervision.

The term *power tool* used in the safety warnings refers to both mains-operated and battery-powered electric tools (with/without power cable).



General Power Tool Safety Warnings – Work area safety

- **Keep work area clean and well lit.** Cluttered or dark areas invite accidents.
- **Do not operate power tools in explosive atmospheres, such as in the presence of flammable liquids, gases or dust.** Power tools create sparks which may ignite the dust or fumes.
- **Keep children and bystanders away while operating a power tool.** Distractions can cause you to lose control.

**General Power Tool Safety Warnings – Electrical safety**

- **Power tool or power adapter plugs must match the outlet. Never modify the plug in any way. Do not use any adapter plugs with earthed (grounded) power tools.** Unmodified plugs and matching outlets will reduce risk of electric shock.
- **Avoid body contact with earthed or grounded surfaces, such as pipes, radiators, ranges and refrigerators.** There is an increased risk of electric shock if your body is earthed or grounded.
- **Do not expose power tools to rain or wet conditions.** Water entering a power tool will increase the risk of electric shock.
- **Do not abuse the cord. Never use the cord for carrying, pulling or unplugging the power tool. Keep cord away from heat, oil, sharp edges or moving parts.** Damaged or entangled cords increase the risk of electric shock.
- **When operating a power tool outdoors, use an extension cord suitable for outdoor use.** Use of a cord suitable for outdoor use reduces the risk of electric shock.
- **If operating a power tool in a damp location is unavoidable, use a residual current device (RCD) protected supply.** Use of an RCD reduces the risk of electric shock.

**General Power Tool Safety Warnings – Personal safety**

- **Stay alert, watch what you are doing and use common sense when operating a power tool. Do not use a power tool while you are tired or under the influence of drugs, alcohol or medication.** A moment of inattention while operating power tools may result in serious personal injury.



Use personal protective equipment. Always wear eye protection. Protective equipment such as dust mask, non-skid safety shoes, hard hat, or hearing protection used for appropriate conditions will reduce personal injuries.



- **Prevent unintentional starting. Ensure the switch is in the off-position before connecting to power source and/or battery pack, picking up or carrying the tool.** Carrying power tools with your finger on the switch or energising power tools that have the switch on invites accidents.
- **Remove any adjusting key or wrench before turning the power tool on.** A wrench or a key left attached to a rotating part of the power tool may result in personal injury.
- **Do not overreach. Keep proper footing and balance at all times.** This enables better control of the power tool in unexpected situations.
- **Dress properly. Do not wear loose clothing or jewellery. Keep your hair, clothing and gloves away from moving parts.** Loose clothes, jewellery or long hair can be caught in moving parts.
- **If devices are provided for the connection of dust extraction and collection facilities, ensure these are connected and properly used.** The use of a dust extraction system may reduce dust-related hazards.



General Power Tool Safety Warnings – Power tool use and care

- **Do not force the power tool. Use the correct power tool for your application.** The correct power tool will do the job better and safer at the rate for which it was designed.
- **Do not use the power tool if the switch does not turn it on and off.** Any power tool that cannot be controlled with the switch is dangerous and must be repaired.
- **Disconnect the plug from the power source and / or the battery pack from the power tool before making any adjustments, changing accessories, or storing power tools.** Such preventive safety measures reduce the risk of starting the power tool accidentally.
- **Store idle power tools out of the reach of children and do not allow persons unfamiliar with the power tool or these instructions to operate the power tool.** Power tools are dangerous in the hands of untrained users.
- **Maintain power tools. Check for misalignment or binding of moving parts, breakage of parts and any other condition that may affect the power tool's operation. If damaged, have the power tool repaired before use.** Many accidents are caused by poorly maintained power tools.
- **Keep cutting tools sharp and clean.** Properly maintained cutting tools with sharp cutting edges are less likely to bind and are easier to control.
- **Use the power tool, accessories and tool bits etc. in accordance with these instructions, taking into account the working conditions and the work to be performed.** Use of the power tool for operations different from those intended could result in a hazardous situation.



General Power Tool Safety Warnings – Service

- **Have your power tool serviced by a qualified repair person using only identical replacement parts.** This will ensure that the safety of the power tool is maintained.



General Battery Pack / Charger Safety Warnings

- **Use power tools only with specifically designated battery packs.** Use of any other battery packs may create a risk of injury and fire.
- **When battery pack is not in use, keep it away from other metal objects, like paper clips, coins, keys, nails, screws or other small metal objects, that can make a connection from one terminal to another.** Shorting the battery terminals together may cause burns or a fire.
- **Recharge only with the charger specified by the manufacturer.** A charger that is suitable for one type of battery pack may create a risk of fire when used with another battery pack.
- **Do not charge other battery packs.** The charger is only suitable for use with the supplied battery pack and with the voltages specified in the technical data. Otherwise, there is a risk of fire and explosion.
- **Under abusive conditions, liquid may be ejected from the battery.** Avoid contact. If contact accidentally occurs, flush with water. If liquid contacts eyes, additionally seek medical help. Liquid ejected from the battery may cause irritation or burns.
- **In case of damage and improper use of the battery, vapours may be emitted.** Provide for fresh air and seek medical help in case of complaints. The vapours can irritate the respiratory system.
- **Do not open the battery.** There is danger of a short circuit.
- **Do not short-circuit the battery.** There is danger of explosion.
- **Batteries must not be exposed to mechanical impacts.**
- **Protect electrical parts against moisture. To prevent an electric shock, never immerse them in water or other liquids during cleaning or operation.** Never hold the charger under running water. Please observe the instructions for cleaning and maintenance.
- The charger is only suited for indoor use.
- Keep the charger clean. Contamination entails a risk of electric shock.
- Do not operate the charger on highly combustible ground (e.g. paper, textiles etc.) or in an inflammable environment. The heat generated by the charger during charging entails a risk of fire.
- Only use the charger for charging the battery. The charger must not be used as power supply for the power tool.

**Device-specific safety warnings for jigsaws**

- **Hold the device by its insulated gripping surfaces when performing an operation where the insertion tool may contact hidden wiring or its own cord.** Contacting a live wire might energize exposed metal parts of the device and lead to an electric shock.
- **Use appropriate detection equipment to track down concealed supply lines or consult the local utility companies.** Contact with electrical lines may result in fire and electric shock. Damaging a gas line may lead to an explosion. Penetrating a water line causes property damage and may cause an electric shock.
- **Vibrations can be harmful to the human hand-arm system.** Keep the vibration exposure time to a minimum.
- **Secure the workpiece.** The grip of tensioning devices or a vice is more secure than holding the workpiece only by hand.
- **Clean the shank of the saw blade before inserting it.** A dirty shank cannot be fastened securely.
- **Check the saw blade for tight fit.** A loose saw blade could fall out and injure you.
- **Before switching on the power tool, ensure that the insertion tool can move freely.** If the device is switched on with a jammed insertion tool, the resulting forces can be extreme causing the device to kick out sideways.
- **Do not work on moistened material or moist surfaces.**
- **Only hold the power tool against the workpiece when the tool is switched on and running.** Otherwise there is a risk of kickbacks.
- **Make sure that the base plate is positioned securely on the contact face during sawing.** A jammed saw blade could break or cause a kickback.
- **Keep your hands out of the sawing area.** Do not reach underneath the workpiece. Risk of injury upon contact with the saw blade.
- **Keep your hands away from lifting rod and quick-release chuck.** Crushing hazard upon contact with these components.
- **Ensure sufficient ventilation.**
- **Regularly check the quick-release chuck for wear or damage.**
- **Only use intact, flawless saw blades.** Bent and blunt saw blades could break or cause a kickback.
- **Do not attempt to slow down the saw blade movement by pressing against the blade from the side once the device is switched off.** The saw blade could be damaged, break or cause a kickback.
- **Switch off the power tool when your operation is completed, but do not remove the saw blade from the kerf until it has come to a standstill.** This serves to avoid a kickback, then you can put the power tool down safely.
- **Immediately switch off the power tool if the insertion tool gets jammed.** The power tool can lash out to the side owing to the forces that build up consequently.
- **Wait until the power tool has come to a standstill, before putting it down.** The insertion tool could get caught resulting in a loss of control of the power tool.

Intended use

Only use the device PJSS 10-20V:

- for straight and curved cuts at angular workpieces made of wood, plastic and light metal while keeping base plate contact,
- for mitre cuts up to an angle of 45° at angular workpieces made of wood, plastic and light metal,

whilst adhering to the technical data (see operating manual).

We recommend using the power tool with original Trotec accessories.

Improper use

- The device is not intended for processing damp wood.
- The device is not intended for processing glass or stone.
- The device is not intended for freehand operation without base plate contact.

Personnel qualifications

People who use this device must:

- have read and understood the operating manual, especially the Safety chapter.

Personal protective equipment



Wear hearing protection.

Excessive noise can lead to hearing loss.



Wear eye protection.

With it you protect your eyes from splintering, falling and flying pieces which could cause injuries.



Wear a dust mask.

It saves you from inhaling harmful dusts generated when processing workpieces.



Wearing protective gloves.

They protect your hands from burns, crushing injuries and skin abrasions.

Residual risks



Warning of electrical voltage

Electric shock from insufficient insulation.

Check the device for damages and proper functioning before each use.

If you notice damages, no longer use the device.

Do not use the device when the device or your hands are damp or wet!



Warning of electrical voltage

Work on the electrical components must only be carried out by an authorised specialist company!



Warning of electrical voltage

Before any work on the device, remove the mains plug from the mains socket and the battery from the device! Hold onto the mains plug while pulling the power cable out of the mains socket.



Warning of electrical voltage

There is a risk of a short-circuit due to liquids penetrating the housing!

Do not immerse the device and the accessories in water. Make sure that no water or other liquids can enter the housing.



Warning of explosive substances

Do not expose the battery to temperatures above 45 °C! Do not let the battery come into contact with water or fire! Avoid direct sunlight and moisture. There is a risk of explosion!



Warning of hand injuries

Crushing hazard near saw blade and base plate if handled without due care.

Wear protective gloves!



Warning of sharp object

Parts of the saw blade are sharp. Risk of injuries if handled without due care.

Wear protective gloves!



Warning of hot surface

The insertion tool might still be hot after the application. Burn hazard when touching the insertion tool.

Do not touch the insertion tool bare-handed!

Wear protective gloves!



**Warning**

Toxic dusts!



The harmful / toxic dusts produced during operation pose of risk to the health of the operator and persons in the vicinity.



Wear eye protection and a dust mask!

**Warning**

Do not process materials containing asbestos. Asbestos is considered carcinogenic.

**Warning**

Make sure not to hit power, gas or water lines when working with a power tool.
If necessary, use a pipe detector to check the wall you want to drill in or slit open.

**Warning**

Risk of injuries caused by flying parts or bursting tool heads.

**Warning**

Dangers can occur at the device when it is used by untrained people in an unprofessional or improper way!
Observe the personnel qualifications!

**Warning**

The device is not a toy and does not belong in the hands of children.

**Warning**

Do not leave the packaging lying around. Children may use it as a dangerous toy.

**Caution**

Vibration emissions can cause a health hazard if the device is used for an extended period of time or if it is not properly handled and maintained.

**Caution**

Keep a sufficient distance from heat sources.

Notice

If you store or transport the device improperly, the device may be damaged.
Note the information regarding transport and storage of the device.

Information about the device

Device description

The device PJSS 10-20V is suited for varied sawing operations with a quick sawing progress due to the adjustable pendulum action.

The anti-splinter guard ensures tear-free cuts.

The pendulum action can be set to 3 levels, or switched off if required.

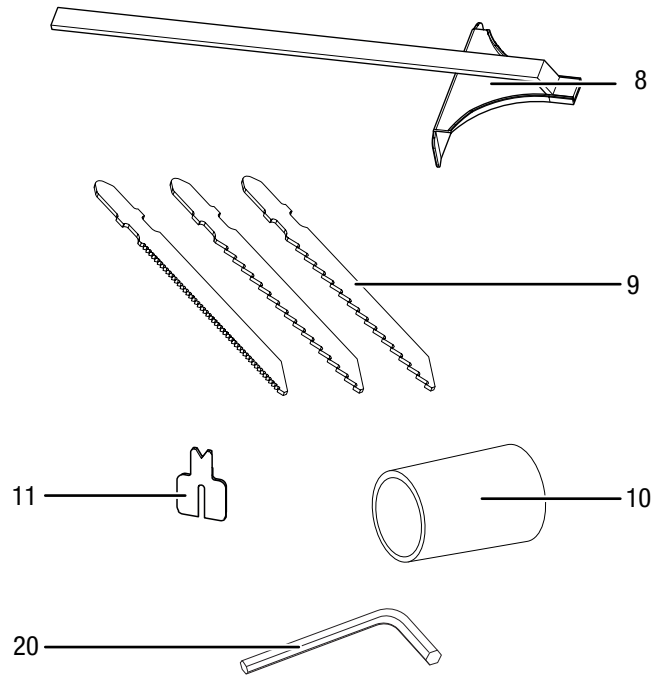
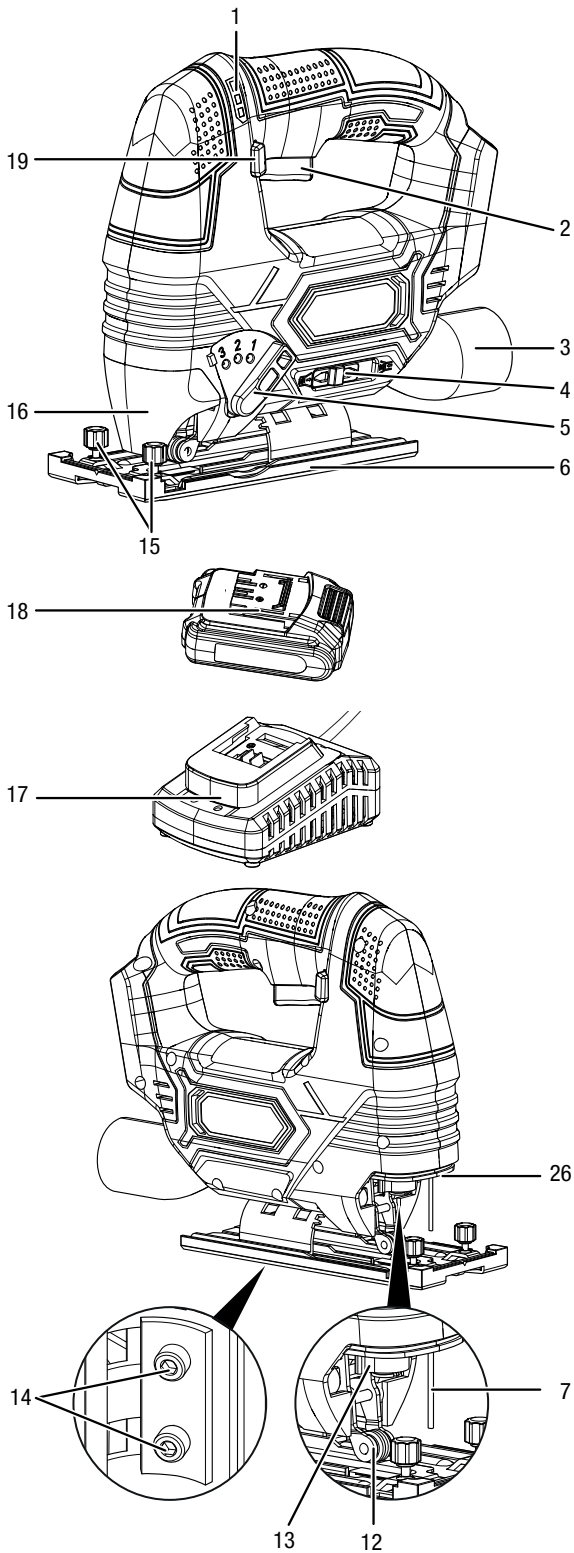
The saw blades can be exchanged without tools.

The base plate can be adjusted with an Allen wrench and allows for cutting angles of 15°, 30° and 45°.

The work area is illuminated by an LED.

Furthermore the device is equipped with a fan function for a cutting line without sawdust and with an integrated connection for effective external vacuum cleaning.

Device depiction




No.	Designation
1	3-stage battery level indication
2	On/off switch
3	Dust extraction connection
4	Splinter blow-off/suction selector switch
5	Pendulum action selector switch
6	Base plate with removable sliding block
7	Protective pin
8	Rip fence
9	Saw blade set
10	Adapter for dust extraction
11	Anti-splinter guard
12	Guide roller
13	Quick-change chuck
14	Locking screws for base plate
15	Locking screws for rip fence
16	Protective cover
17	Charger
18	Battery
19	Restart lock
20	Allen wrench
26	LED work lamp

Scope of delivery

- 1 x Cordless pendulum action jigsaw
- 1 x Rip fence
- 2 x Saw blade HCS wood
- 1 x Saw blade HSS metal
- 1 x Adapter for dust extraction
- 1 x Anti-splinter guard
- 1 x Sliding block
- 1 x Rechargeable battery
- 1 x Charger
- 1 x Allen wrench
- 1 x Transport case
- 1 x Manual

Technical data

Parameter	Value
Model	PJSS 10-20V
Idle stroke speed	0 – 2,700 spm
Cutting angle	0° / 15° / 30° / 45°
Weight incl. battery	2 kg
Battery	Multiflex 20V
Type	Li-ion
Nominal voltage	20 V $\overline{---}$
Capacity	1500 mAh
Quick charger	PJSS 10-20V AC
Input	
Nominal voltage	220 – 240 V ~ 50 Hz
Power input	45 W
Output	
Nominal voltage	20 V $\overline{---}$
Charging current	2.0 A
Charging time	1 h
Protection class	II / 
Vibration information according to EN 60745	
Total vibration emission value:	
Sawing chipboards $a_{h,B}$	5.860 m/s ²
Uncertainty K	1.5 m/s ²
Sawing sheet metal $a_{h,B}$	6.148 m/s ²
Uncertainty K	1.5 m/s ²
Sound values according to EN 60745	
Sound pressure level L_{pA}	85 dB(A)
Sound power L_{WA}	96 dB(A)
Uncertainty K	3 dB



Wear hearing protection.

Excessive noise can lead to hearing loss.

Information on noise and vibration:

- The vibration level specified in these instructions was determined by means of a measuring method standardized in EN 60745 and can be used for a device comparison. The specified vibration emission value may also be used for a preliminary assessment of the exposure.



Caution

Vibration emissions can cause a health hazard if the device is used for an extended period of time or if it is not properly handled and maintained.

- The vibration level will change depending on the application of the power tool and may in some cases differ from the value specified in these instructions. The vibration load may be underestimated if the power tool is used regularly in such a way. For a precise estimation of the vibration load during a certain work period, it is also important to consider the periods during which the device is switched off, or is running but not actually employed. This can reduce the vibration load over the entire work period significantly.

Transport and storage

Notice

If you store or transport the device improperly, the device may be damaged.

Note the information regarding transport and storage of the device.

Transport

For transporting the device, use the transport case included in the scope of delivery in order to protect the device from external influences.

Before transporting the device, proceed as follows:

- Switch off the device.
- Allow the device to cool down.
- Remove the battery from the device.
- Remove the tool from the tool holder.
- If attached, disconnect the dust extraction system from the device.

The supplied Li-ion batteries are subjects to the requirements of dangerous goods legislation.

Observe the following when transporting or shipping Li-ion batteries:

- The user may transport the batteries by road without any additional requirements.
- If transport is carried out by third parties (e.g. air transport or forwarding company), special requirements as to packaging and labelling must be observed. This includes consulting a dangerous goods specialist when preparing the package.
 - Only ship batteries if their housing is undamaged.
 - Mask open terminals with tape and pack the battery in a way that it cannot move inside the packaging.
 - Please also observe any other national regulations.

Storage

Before storing the device, proceed as follows:

- Switch off the device.
- Allow the device to cool down.
- Remove the battery from the device.
- Remove the tool from the tool holder.
- Clean the device as described in the Maintenance chapter.
- For storing the device, use the transport case included in the scope of delivery in order to protect the device from external influences.
- Do not store Li-ion batteries which are completely discharged. Storing discharged batteries can lead to a deep discharge and thus damage the battery.

When the device is not being used, observe the following storage conditions:

- dry and protected from frost and heat,
- ambient temperature below 40 °C,
- protected from dust and direct sunlight inside the transport case.

Start-up

Unpacking the device

- Take the transport case out of the packaging.



Warning of electrical voltage

Electric shock from insufficient insulation. Check the device for damages and proper functioning before each use.

If you notice damages, no longer use the device.

Do not use the device when the device or your hands are damp or wet!

- Check the contents of the transport case for completeness and look for damages.



Warning

Do not leave the packaging lying around. Children may use it as a dangerous toy.

- Dispose of the packaging material according to the national regulations.

Charging the battery

Notice

The battery can be damaged in case of improper charging.

Remove the charger's mains plug before inserting or removing the battery.

Never charge the battery at ambient temperatures below 10 °C or above 40 °C.

The battery is partially charged upon delivery to avoid damage to the battery caused by a deep discharge.

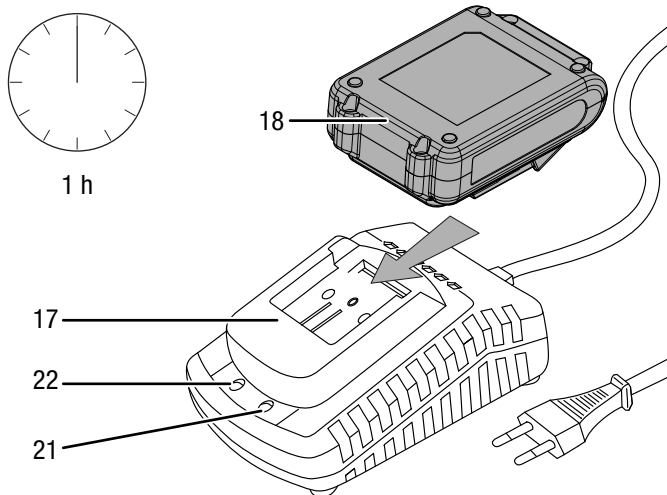
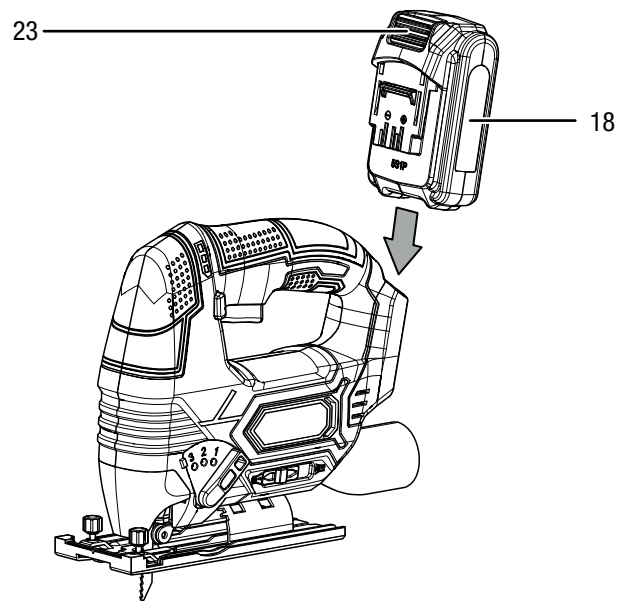
Prior to initial start-up and when the battery is low (only the red LED in the battery level indication (1) is illuminated), the battery should be charged. To do so, please proceed as follows:

1. Slide the battery (18) onto the quick charger (17) upside down until it locks in place.

2. Insert the mains plug of the quick charger (17) into a properly fused mains socket.
 - ⇒ The red battery LED (22) lights up.
 - ⇒ Charging requires approx. one hour.
3. Wait until the red battery LED (22) goes off and the green battery LED (21) lights up.
 - ⇒ The battery (18) is fully charged.
4. Hold onto the mains plug while pulling the power cable of the quick charger (17) out of the mains socket.
 - ⇒ The battery (18) and the quick charger (17) may have become warm during charging. Allow the battery (18) to cool down to room temperature.
5. Take the battery (18) out of the quick charger (17) by pressing and holding the unlocking button (23) and pulling the battery (18) off the quick charger (17).

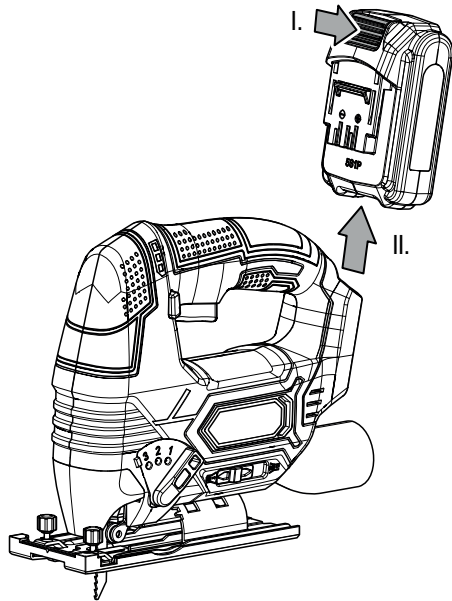
Inserting the battery

1. Slide the battery (18) onto the device until it locks in place.



Removing the battery

1. Detach the battery (18) from the device by pressing and holding the unlocking button (23; I.) and pulling the battery off the device (II.).



2. If required, charge the battery (18) as described in the section *Charging the battery*.

Checking the battery status

The battery status is displayed as follows by the three LEDs of the battery level indication (1):

LED colour	Meaning
Green – Orange – Red	maximum charge / power
Orange – Red	medium charge / power
Red	weak charge – Recharge the battery.

1. Press the on / off switch (2).
⇒ You can read the battery status from the battery level indication (1).

Changing the saw blade



Warning of electrical voltage

Before any work on the device, remove the mains plug from the mains socket and the battery from the device! Hold onto the mains plug while pulling the power cable out of the mains socket.



Wear protective gloves

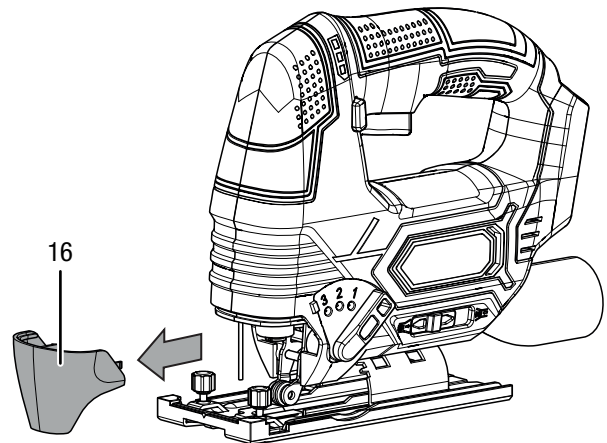
Wear appropriate protective gloves when inserting or exchanging tools.

As standard, the device is supplied with 2 saw blades for cutting in wood and one saw blade for cutting in light metals.

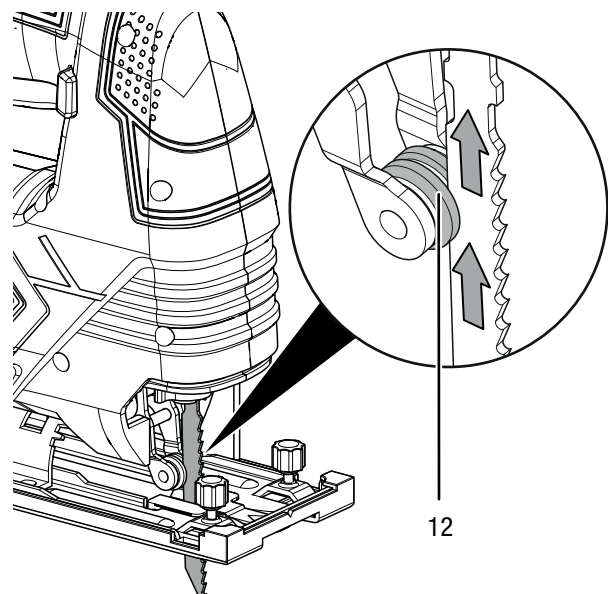
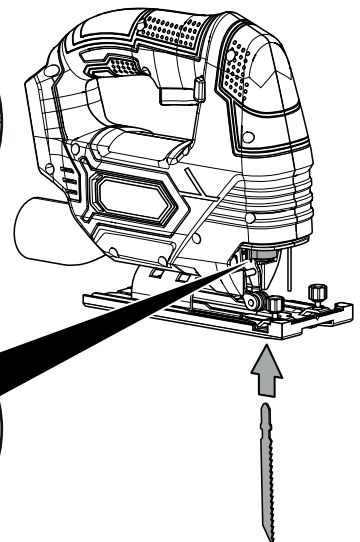
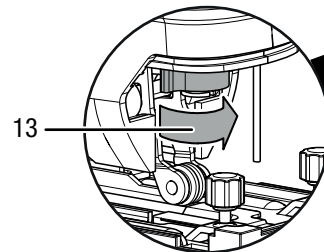
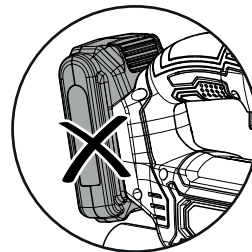
Please proceed as follows to remove or insert a saw blade:

1. Remove the battery (18) from the device (see Removing the battery).

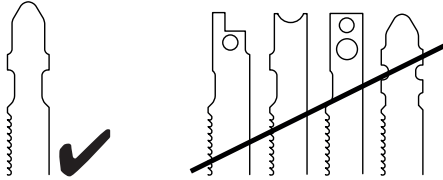
2. Detach the protective cover (16).



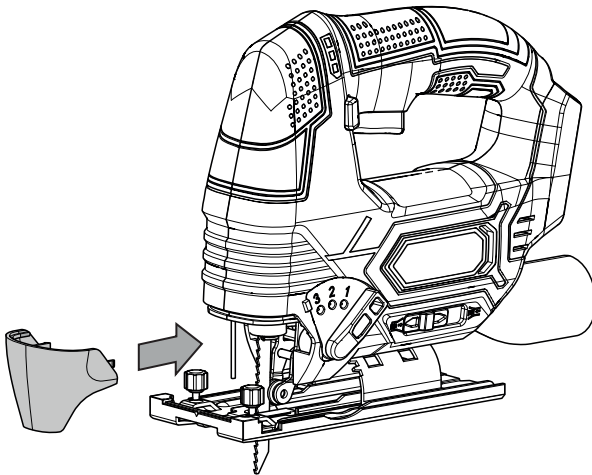
3. Turn the quick-release chuck (13) to the side and hold it in this position.



4. If a saw blade is inserted, remove the saw blade from the quick-release chuck.
5. Insert the saw blade into the quick-release chuck. Make sure that the teeth of the saw blade point to the front and that the saw blade is seated in the guide roller (12).
6. Push the saw blade into the quick-release chuck up to the stop. Use a suitable sawblade with single lug shank.



7. Let go of the quick-release chuck.
 - ⇒ The quick-release chuck must return to its initial position.
8. Check whether the saw blade is properly locked in place.
9. Reattach the protective cover (16).

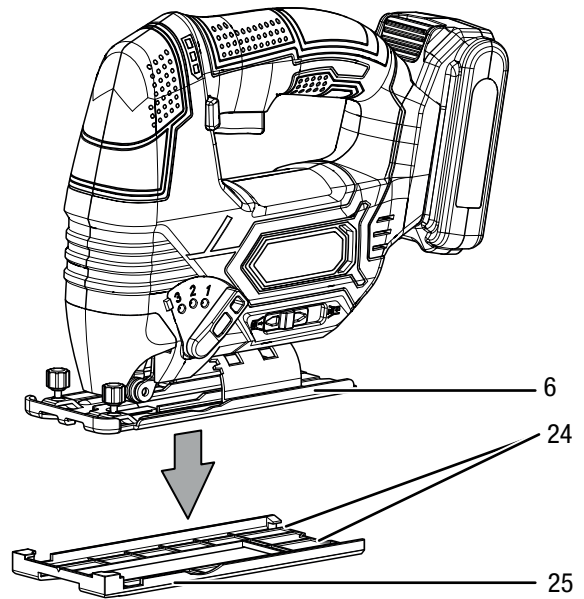


10. Refit the battery (18; see Insert the battery).

Mounting / removing the sliding block

To protect the surface of the material to be processed, the sliding block is already preassembled. You may remove the sliding block if required.

1. Remove the battery (18) from the device (see Removing the battery).
2. Release the two fastening clips (24) at the rear.
3. Slowly push the sliding block (25) forward while carefully detaching the front part of the sliding block from the base plate (6).
4. Pull the sliding block (25) downwards carefully.



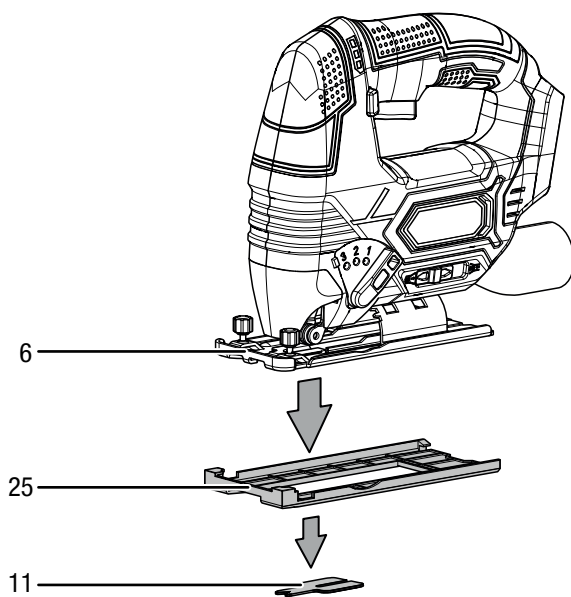
5. To reattach the sliding block (25), first push it onto the front part of the base plate (6).
6. Then let the fastening clips (24) lock in place at the rear.
7. Check the sliding block (25) for tight fit.
8. Refit the battery (18; see Insert the battery).

Mounting / removing the anti-splinter guard

The anti-splinter guard serves to avoid tearing of the surface when sawing in wood. The anti-splinter guard can only be used in combination with certain types of saw blades and at a cutting angle of 0°. You may remove it if required, e.g. if you want to make a mitre cut.

The anti-splinter guard is already preassembled.

1. Remove the battery (18) from the device (see Removing the battery).
2. First remove the sliding block (see Mounting / removing the sliding block).
3. Remove the anti-splinter guard (11) from the base plate (6) by carefully pushing the anti-splinter guard outwards.

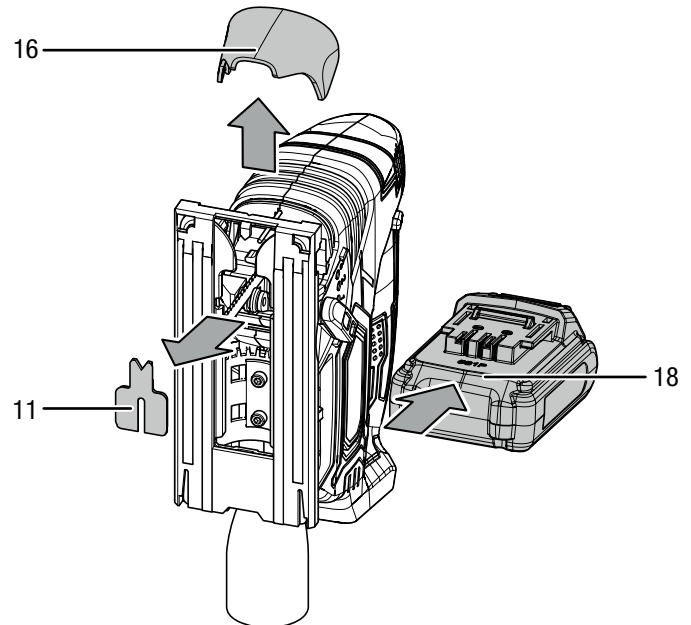


4. To reinsert the anti-splinter guard (11), carefully push it into the recess of the base plate from below until the anti-splinter guard locks in place. When doing so, make sure that the smooth side of the anti-splinter guard points away from the device.
5. Refit the battery (18; see Insert the battery).

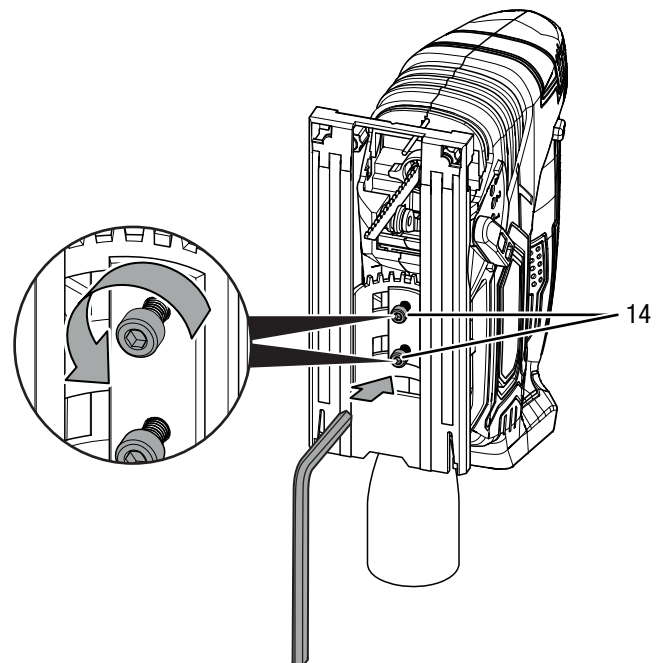
Adjusting the cutting angle

The cutting angle can be adjusted to the left or right at angles of 0° / 15° / 30° / 45°.

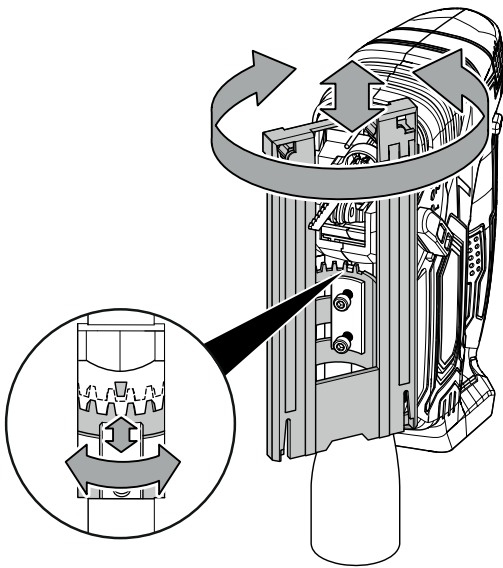
1. Remove the battery (18) from the device (see Removing the battery).
2. First, remove the anti-splinter guard (11) and the protective cover (16).



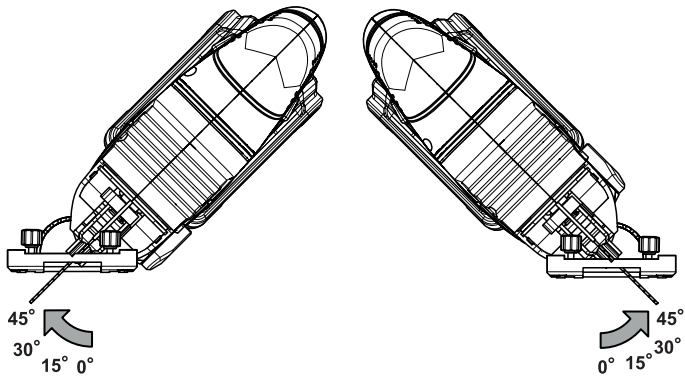
3. Loosen the screws (14) at the bottom of the device using the Allen wrench (20).



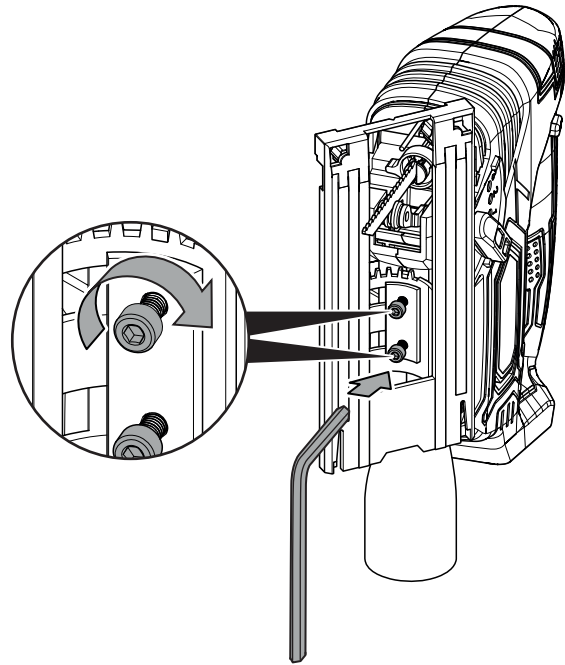
4. Slide the base plate to the rear until it can be freely rotated.



5. Set the desired cutting angle. The number of degrees to be set is engraved on the base plate.



6. Slide the base plate back to the front until the toothing engages.
7. Tighten the screws (14) at the bottom of the device using the Allen wrench (20).



8. Check the base plate for tight fit.
9. Refit the battery (18; see Insert the battery).



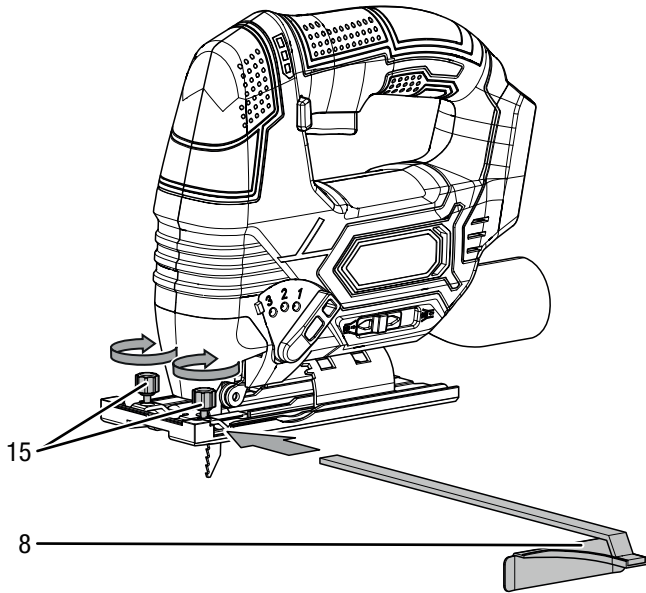
Info

The anti-splinter guard and the protective cover cannot be used for mitre cuts.

Mounting the rip fence

The rip fence can be fastened on both sides of the device.

1. Remove the battery (18) from the device (see Removing the battery).
2. Loosen the locking screws (15) at the slot. Make sure not to unscrew the locking screws completely.



3. Slide the rip fence (8) into the slot with the marking pointing up.
4. Move the rip fence (8) into the desired position.
5. Tighten the locking screws (15).
6. Refit the battery (18; see Insert the battery).

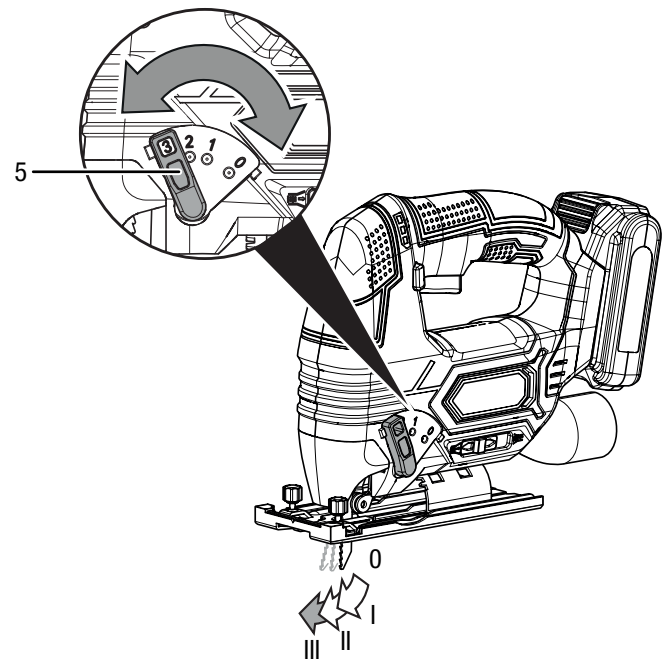
Adjusting the pendulum action

You can adjust the pendulum movement of the saw blade.

Levels 1 to 3 allows for a faster work progress and level 0 (pendulum movement off) enables fine and clean cutting edges.

The ideal pendulum level for the respective application can be determined by way of field-testing. Please observe the following instructions:

- If you want to obtain a fine and clean cutting edge, preferably select a low pendulum level or switch off the pendulum action completely.
 - Switch off the pendulum action when processing thin materials.
 - Work at a low pendulum level when processing hard materials.
 - For soft materials or when sawing wood with the grain you can work with the maximum pendulum level.
1. Set the pendulum action selector switch (5) to the desired level. The higher the level, the larger the pendulum stroke. The pendulum action can also be adjusted during operation.



Operation

Tips and notes on handling the jigsaw

General information:

- Keep the venting slots clear to prevent the motor from overheating.
- Check the tool in the tool holder for proper fit before every application. The tool must be firmly locked in place in the designated holding fixtures on the tool holder.
- Before every application, make sure that you have selected the correct tool for the intended use.

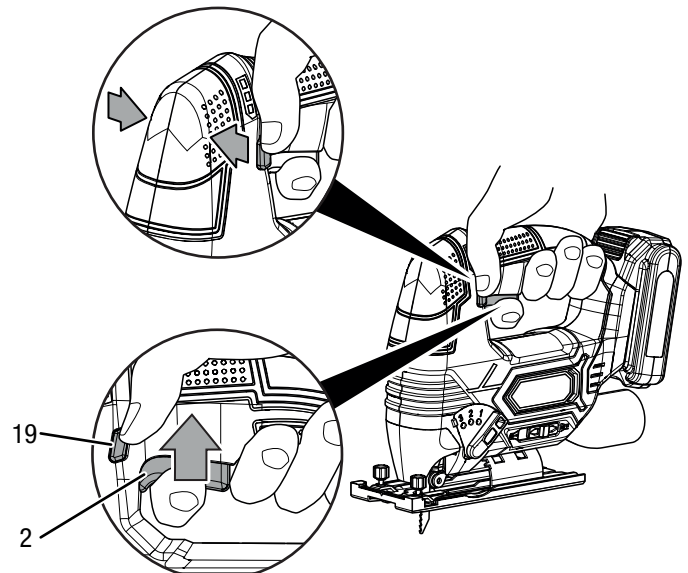
Sawing:

- Only use intact, flawless saw blades. Bent, blunt or otherwise damaged saw blades could break.
- When sawing lightweight construction materials, make sure to observe the legal regulations and recommendations of the material manufacturers.
- Before sawing wood, chipboards, building materials etc. with HCS blades, check the above for foreign objects, e.g. nails, screws or similar. If required, remove the foreign objects or use HSS saw blades.
- Use a narrow saw blade when sawing tight curves.
- The saw blade should not be longer than required for the intended cut.

Switching the device on and off

Wear your personal protective equipment when working with the device.

1. Check whether the fixed saw blade, the pendulum action and the cutting angle are suitable for the intended application.
2. Check whether the workpiece is secured and the worktop prepared correspondingly.
3. Position the base plate with the sliding block (6) on the workpiece.
4. Press the restart lock (19) to be able to actuate the on/off switch.
5. Press the on/off switch (2) and hold it during operation.
 - ⇒ The device operates with the previously selected settings.
 - ⇒ The LED work lamp is illuminated.

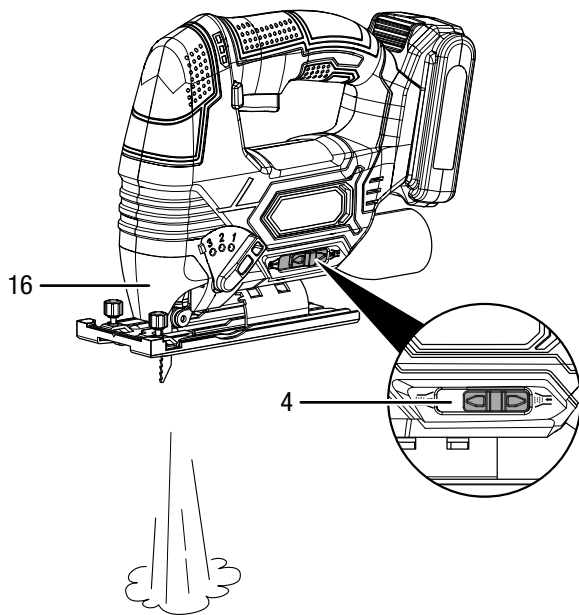


6. Let go of the on/off switch (2) to stop the device.
 - ⇒ The LED work lamp goes out.

Setting the splinter blow-off/suction function

You can choose whether the splinters shall be blown off towards the front or sucked off with an optionally connectable vacuum cleaner.

1. Make sure that the protective cover (16) is mounted.
2. Slide the blow-off/suction function selector switch (4) to the left to suck the splinters in using an external vacuum cleaner, or to the right to blow the splinters away.



Connecting the dust extraction system

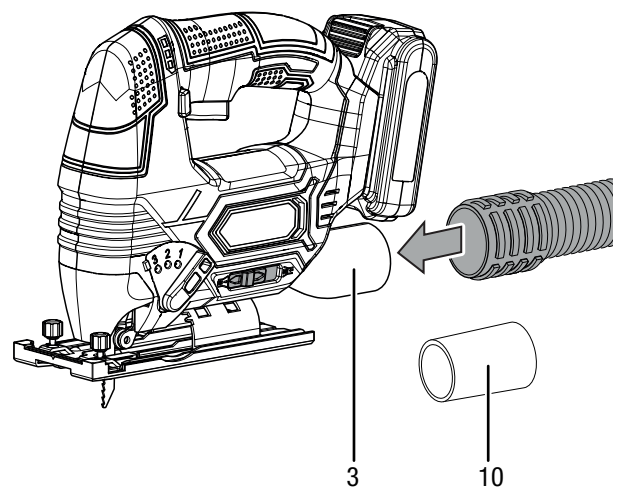
You can connect a vacuum cleaner to the device. The adapter included in the scope of delivery allows to connect smaller pipe diameters.



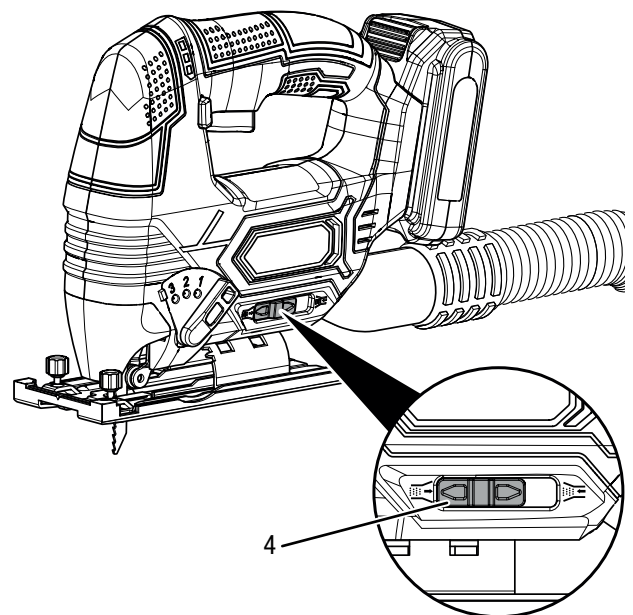
Caution

Use a special vacuum cleaner to suck off harmful or toxic materials.

1. If required, attach the adapter (10) to the connection for the dust extraction system (3).
2. For an optimum dust extraction, insert the anti-splinter guard if possible.
3. Connect a suitable vacuum cleaner (e.g. industrial vacuum cleaner) to the dust extraction.



4. Slide the splinter blow-off/suction selector switch (4) to the left to the position for dust extraction.



Available accessories



Warning

Only use accessories and additional equipment specified in the operating manual. Using insertion tools or accessories other than those specified in the operating manual may cause a risk of injury.

Designation	Article number
Jigsaw blade set for wood, 10-piece	6.215.001.101
Jigsaw blade set for metal, 10-piece	6.215.001.131
Spare battery Multiflex 20V	6.200.000.301

Errors and faults

The device has been checked for proper functioning several times during production. If malfunctions occur nonetheless, check the device according to the following list.

Troubleshooting tasks which require the housing to be opened must only be carried out by a specialist dealer or by Trotec.

Slight smoke or odour are emitted during first use:

- This is not a fault. These phenomena disappear after a brief runtime.

The battery does not charge:

- Check whether the battery is correctly connected to the quick charger.
Slide the battery into the quick charger in a way that the battery terminals engage in the quick charger. The battery must lock in place in the quick charger.
- Check the power connection.
- Check the power cable and mains plug for damages.
- Check the fuse (home).
- Check the quick charger for damages. Should the quick charger be damaged, stop using it. Contact the Trotec customer service.
- Check the battery terminals for dirt. Remove any dirt.
- The battery might be defective and have to be replaced. Only use batteries of the same type.

The device does not start:

- The battery power might be too low. Recharge the battery.
- Check whether the battery is correctly connected to the device.

Slide the battery onto the device in a way that the battery terminals engage. The battery must lock in place in the device.

- Check the battery terminals for dirt. Remove any dirt.



Info

Wait for at least 10 minutes before switching the device back on.

The saw blade is loose:

- Make sure that the saw blade is firmly locked in place in the designated recesses of the quick-release chuck.
- Make sure that the quick-release chuck is locked.

The saw blade experiences difficulties penetrating the material to be processed or the sawing performance is insufficient:

- Check whether the pendulum action setting is suitable for the material to be processed.
- If the saw blade is worn, replace it with a new one.
- Check whether the chosen saw blade is suitable for the material to be processed.

The device becomes hot:

- Make sure not to exert too much pressure on the device during sawing.
- Check whether the chosen saw blade is suitable for the task to be carried out.
- Keep the venting slots clear to prevent the motor from overheating.



Info

Wait for at least 10 minutes before switching the device back on.

Notice

Wait for at least 3 minutes after maintenance and repair work. Only then switch the device back on.

Your device still does not operate correctly after these checks?

Please contact the customer service. If necessary, bring the device to an authorized specialist electrical company or to Trotec for repair.

Maintenance

Activities required before starting maintenance



Warning of electrical voltage

Do not touch the mains plug or the battery with wet or damp hands.

- Switch off the device.
- Allow the device to cool down completely.
- Remove the battery from the device.



Warning of electrical voltage

Maintenance tasks which require the housing to be opened must only be carried out by authorised specialist companies or by Trotec.

Notes on maintenance

Inside the device, there are no parts that need to be maintained or lubricated by the user.

Cleaning

The device should be cleaned before and after each use.

Note:

The device does not have to be lubricated after cleaning.



Warning of electrical voltage

There is a risk of a short-circuit due to liquids penetrating the housing!

Do not immerse the device and the accessories in water. Make sure that no water or other liquids can enter the housing.

- Clean the device with a soft, damp and lint-free cloth. Ensure that no moisture enters the housing. Protect electrical components from moisture. Do not use any aggressive cleaning agents such as cleaning sprays, solvents, alcohol-based or abrasive cleaners to dampen the cloth.
- Dry the device and the saw blades with a soft cloth, lint-free cloth.
- Remove any abrasive dust and, if applicable, wood chips from the quick-release chuck.
- Keep the connecting terminals on the device, battery pack and charger clean.
- Keep the ventilation openings free from dust deposits to prevent overheating of the motor.

Disposal



The icon with the crossed-out waste bin on waste electrical or electronic equipment stipulates that this equipment must not be disposed of with the household waste at the end of its life. You will find collection points for free return of waste electrical and electronic equipment in your vicinity. The addresses can be obtained from your municipality or local administration. For further return options provided by us please refer to our website www.trotec24.com.

The separate collection of waste electrical and electronic equipment aims to enable the re-use, recycling and other forms of recovery of waste equipment as well as to prevent negative effects for the environment and human health caused by the disposal of hazardous substances potentially contained in the equipment.

You are responsible for deleting any personal data stored on the waste equipment to be disposed of.



Li-Ion

In the European Union, batteries and accumulators must not be treated as domestic waste, but must be disposed of professionally in accordance with Directive 2006/66/EC of the European Parliament and of the Council of 6 September 2006 on batteries and accumulators. Please dispose of batteries and accumulators according to the relevant legal requirements.

EU Declaration of Conformity

In accordance with the EC Machinery Directive 2006/42/EC, Annex II, part 1, Section A

We,

Trotec GmbH & Co. KG

Grebener Straße 7
D-52525 Heinsberg
Phone: +49 2452 962-400
Fax: +49 2452 962-200
E-mail: info@trotec.com

declare in sole responsibility that the following device

Product model / Product: PJSS 10-20V

Year of manufacture: 2016

Product, batch, type or serial number: Jigsaw

has been developed, constructed and
manufactured in compliance with the
requirements of the European Directives: 2014/30/EU
2011/65/EU

The object of the declaration described above is in conformity with the relevant Union harmonisation legislation.

The assessment is based on the following
applied harmonised standards: ISO 12100:2010
EN 60745-1:2009+A11
EN 60745-2-11:2010
EN 55014-1:2006+A1+A2
EN 55014-2:2015

Other applied technical standards and
specifications: AfPS GS 2014:01

Manufacturer and name of the authorised
representative of the technical
documentation: Trotec GmbH & Co. KG
Grebener Straße 7, D-52525 Heinsberg
Phone: +49 2452 962-400
E-Mail: info@trotec.de

Place and date of issue: Heinsberg, 21/11/2016



Detlef von der Lieck, Managing Director

Trotec GmbH & Co. KG

Grebener Str. 7
D-52525 Heinsberg

☎ +49 2452 962-400

☎ +49 2452 962-200

✉ info@trotec.com

www.trotec.com