

PTNS 10-230V

EN

ORIGINAL INSTRUCTIONS
TACKER



 **TROTEC**

Table of contents

Notes regarding the instructions 2

Safety 2

Information about the device 6

Transport and storage 8

Start-up 8

Operation 10

Errors and faults 11


Maintenance 11


Disposal 12


Declaration of conformity 12


Notes regarding the instructions

Symbols


 **Warning of electrical voltage**
This symbol indicates dangers to the life and health of persons due to electrical voltage.


 **Warning of sharp object**
This symbol indicates dangers to the life and health of persons due to pointed objects.


 **Warning**
This signal word indicates a hazard with an average risk level which, if not avoided, can result in serious injury or death.


 **Caution**
This signal word indicates a hazard with a low risk level which, if not avoided, can result in minor or moderate injury.

Note
This signal word indicates important information (e.g. material damage), but does not indicate hazards.

 **Info**
Information marked with this symbol helps you to carry out your tasks quickly and safely.

 **Follow the manual**
Information marked with this symbol indicates that the instructions must be observed.

 **Wear hearing protection**
Information marked with this symbol indicates that you should wear hearing protection.

 **Wear safety glasses**
Information marked with this symbol indicates that you should wear eye protection.

 **Wear protective gloves**
Information marked with this symbol indicates that you should wear protective gloves.

You can download the current version of the instructions and the EU declaration of conformity via the following link:




PTNS 10-230V



<https://hub.trotec.com/?id=41136>

Safety

Read this manual carefully before starting or using the device. Always store the manual in the immediate vicinity of the device or its site of use!

 **Warning**
Observe all the safety warnings, instructions, illustrations and technical data provided with this power tool.
Failure to follow the instructions below may result in electric shock, fire and / or serious injury.
Save all warnings and instructions for future reference.

The term *power tool* used in the safety warnings refers to both mains-operated and battery-powered electric tools (with/without power cable).

 **General Power Tool Safety Warnings – Work area safety**



- **Keep work area clean and well lit.** Cluttered or dark areas invite accidents.
- **Do not operate power tools in explosive atmospheres, such as in the presence of flammable liquids, gases or dust.** Power tools create sparks which may ignite the dust or fumes.
- **Keep children and bystanders away while operating a power tool.** Distractions can cause you to lose control.





 **General Power Tool Safety Warnings – Electrical safety**

- **Power tool plugs must match the outlet. Never modify the plug in any way. Do not use any adapter plugs with earthed (grounded) power tools.** Unmodified plugs and matching outlets will reduce risk of electric shock.
- **Avoid body contact with earthed or grounded surfaces, such as pipes, radiators, ranges and refrigerators.** There is an increased risk of electric shock if your body is earthed or grounded.
- **Do not expose power tools to rain or wet conditions.** Water entering a power tool will increase the risk of electric shock.
- **Do not abuse the cord. Never use the cord for carrying, pulling or unplugging the power tool. Keep the cord away from heat, oil, sharp edges or moving parts.** Damaged or entangled cords increase the risk of electric shock.
- **When operating a power tool outdoors, use an extension cord suitable for outdoor use.** Use of a cord suitable for outdoor use reduces the risk of electric shock.
- **If operating a power tool in a damp location is unavoidable, use a residual current device (RCD) protected supply.** Use of an RCD reduces the risk of electric shock.

 **General Power Tool Safety Warnings – Personal safety**

- **Stay alert, watch what you are doing and use common sense when operating a power tool. Do not use a power tool while you are tired or under the influence of drugs, alcohol or medication.** A moment of inattention while operating power tools may result in serious personal injury.

  **Use personal protective equipment. Always wear eye protection.** Protective equipment such as dust mask, non-skid safety shoes, hard hat, or hearing protection used for appropriate conditions will reduce personal injuries.

- **Prevent unintentional starting. Ensure the switch is in the off-position before connecting to power source and/or battery pack, picking up or carrying the tool.** Carrying power tools with your finger on the switch or energising power tools that have the switch on invites accidents.
- **Remove any adjusting key or wrench before turning the power tool on.** A wrench or a key left attached to a rotating part of the power tool may result in personal injury.

- **Do not overreach. Keep proper footing and balance at all times.** This enables better control of the power tool in unexpected situations.
- **Dress properly. Do not wear loose clothing or jewellery. Keep your hair and clothing away from moving parts.** Loose clothes, jewellery or long hair can be caught in moving parts.
- **If devices are provided for the connection of dust extraction and collection facilities, ensure these are connected and properly used.** The use of a dust extraction system may reduce dust-related hazards.
- **Do not let familiarity gained from frequent use of tools allow you to become complacent and ignore tool safety principles.** A careless action can cause severe injury within a fraction of a second.

 **General Power Tool Safety Warnings – Power tool use and care**

- **Do not force the power tool. Use the correct power tool for your application.** The correct power tool will do the job better and safer at the rate for which it was designed.
- **Do not use the power tool if the switch does not turn it on and off.** Any power tool that cannot be controlled with the switch is dangerous and must be repaired.
- **Disconnect the plug from the power source and / or the battery pack, if detachable, from the power tool before making any adjustments, changing accessories, or storing power tools.** Such preventive safety measures reduce the risk of starting the power tool accidentally.
- **Store idle power tools out of the reach of children and do not allow persons unfamiliar with the power tool or these instructions to operate the power tool.** Power tools are dangerous in the hands of untrained users.
- **Maintain power tools and accessories carefully. Check for misalignment or binding of moving parts, breakage of parts and any other condition that may affect the power tool's operation. If damaged, have the power tool repaired before use.** Many accidents are caused by poorly maintained power tools.
- **Keep cutting tools sharp and clean.** Properly maintained cutting tools with sharp cutting edges are less likely to bind and are easier to control.
- **Use the power tool, accessories and tool bits etc. in accordance with these instructions, taking into account the working conditions and the work to be performed.** Use of the power tool for operations different from those intended could result in a hazardous situation.

- **Keep handles and gripping surfaces dry, clean and free from oil and grease.** Slippery handles and gripping surfaces do not allow for safe handling and control of the tool in unexpected situations.
- **Use clamps or another practical way to secure and support the workpiece to a stable platform.** Holding the workpiece by your hand or against the body leaves it unstable and may lead to loss of control.



General Power Tool Safety Warnings – Service

- **Have your power tool serviced by a qualified repair person using only identical replacement parts.** This will ensure that the safety of the power tool is maintained.



Safety instructions for tackers

- **Always assume that the power tool contains fasteners (wire nails or staples).** Careless handling of the tacker can result in an unexpected ejection of wire nails or staples and lead to personal injury.
- **Do not point the power tool towards yourself or anyone nearby.** Unexpected triggering will eject a wire nail or staple which might cause an injury.
- **Do not actuate the power tool until it is placed firmly against the workpiece.** If the power tool is not in contact with the workpiece, the staple or wire nail might ricochet.
- **Disconnect the power tool from the mains connection or battery when a wire nail or staple is jammed inside.** If not de-energized, the tacker could be actuated by accident while removing a jammed staple or wire nail.
- **Exercise particular caution when removing a jammed wire nail or staple.** The mechanism may be under tension and the staple or wire nail could be forcefully ejected while you attempt to eliminate the jam.
- **Do not use this tacker for fastening electrical lines.** It is not suitable for the installation of electrical lines, it could damage the insulation of electric cables thereby causing electric shock and fire hazards.
- **Use appropriate detection equipment to track down concealed supply lines or consult the local utility companies.** Contact with electrical lines may result in fire and electric shock. Damaging a gas line may lead to an explosion. Penetrating a water line causes property damage and may cause an electric shock.
- **Do not under any circumstances use the power tool if you detect damages on the mains plug or power cable.** If the supply cord is damaged, it must be replaced by the manufacturer, his service agent or similarly qualified persons in order to avoid a hazard. Defective power cables pose a serious health risk!

Intended use

Only use the device PTNS 10-230V for tacking cardboard, leather, insulating material, fabrics made of textile or natural fibres, foils and similar materials onto a soft ground such as softwood or material similar to wood whilst adhering to the technical data.

We recommend using the power tool with original Trotec accessories.

Improper use

The device PTNS 10-230V is not suitable for tacking hard materials such as metals, stone materials, glass and hard plastics.

Personnel qualifications

People who use this device must:

- have read and understood the instructions, especially the Safety chapter.

Personal protective equipment



Wear hearing protection.

Excessive noise can lead to hearing loss.



Wear eye protection.

With it you protect your eyes from splintering, falling and flying pieces which could cause injuries.



Wear protective gloves.

They protect your hands from burns, crushing injuries and skin abrasions.

Residual risks



Warning of electrical voltage

Electric shock from insufficient insulation. Check the device for damages and proper functioning before each use.

If you notice damages, no longer use the device. Do not use the device when the device or your hands are damp or wet!



Warning of electrical voltage

Work on the electrical components must only be carried out by an authorised specialist company!



Warning of electrical voltage

Before any work on the device, remove the mains plug from the mains socket!
Hold onto the mains plug while pulling the power cable out of the mains socket.



Warning of electrical voltage

There is a risk of a short-circuit due to liquids penetrating the housing!

Do not immerse the device and the accessories in water. Make sure that no water or other liquids can enter the housing.



Warning

Make sure not to hit power, gas or water lines when working with a power tool.

If necessary, use a pipe detector to check the wall you want to drill in or slit open.



Warning

Risk of injuries caused by flying parts or bursting tool heads.



Warning

Dangers can occur at the device when it is used by untrained people in an unprofessional or improper way! Observe the personnel qualifications!



Warning

The device is not a toy and does not belong in the hands of children.



Warning

Risk of suffocation!

Do not leave the packaging lying around. Children may use it as a dangerous toy.



Caution

Vibration emissions can cause a health hazard if the device is used for an extended period of time or if it is not properly handled and maintained.



Caution

Keep a sufficient distance from heat sources.

Note

If you store or transport the device improperly, the device may be damaged.

Note the information regarding transport and storage of the device.

Behaviour in the event of an emergency

1. Switch off the device.
2. In an emergency, disconnect the device from the mains feed-in: Hold onto the mains plug while pulling the power cable out of the mains socket.
3. Do not reconnect a defective device to the mains.

Information about the device

Device description

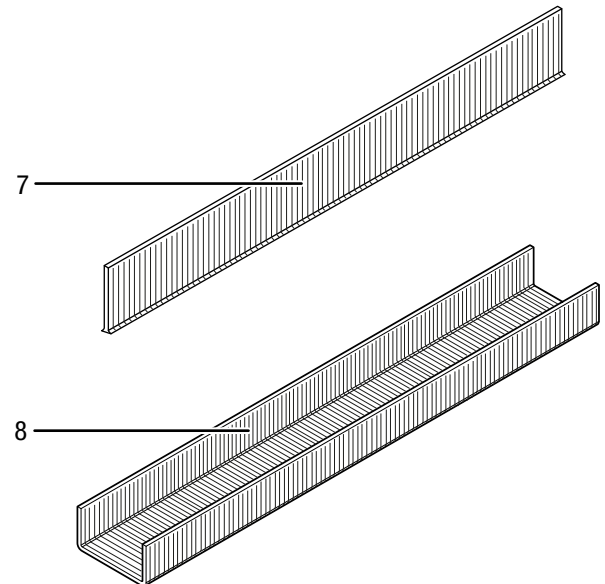
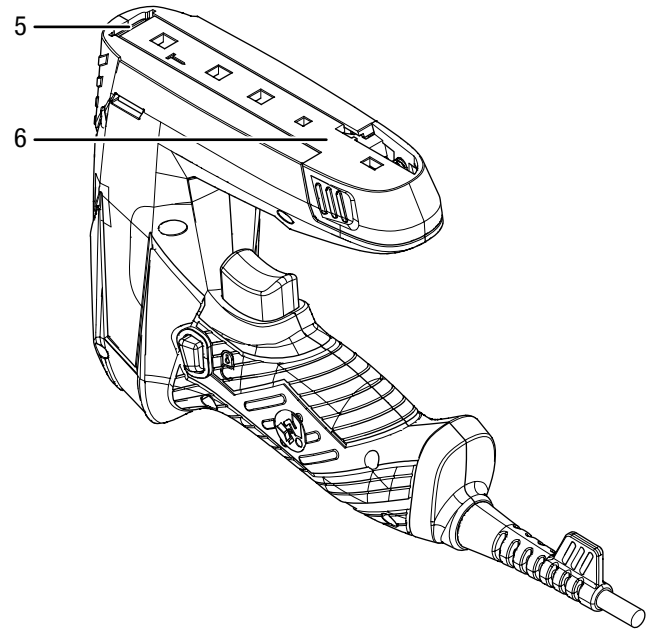
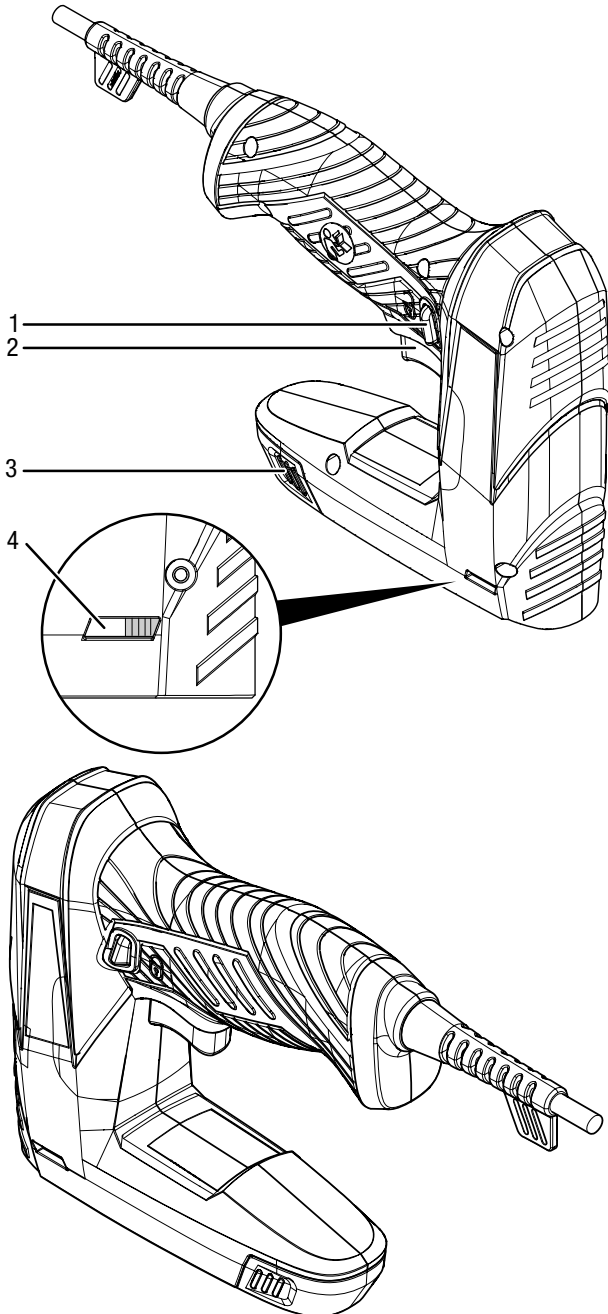
The PTNS 10-230V is a tacker designed for tacking insulating material or decoration.

You can staple and tack cardboard, leather, textile or natural fibres and similar materials onto softwood or material similar to wood.

A shot sequence of 20 shots per minute can be accomplished.

The device comes with a magazine filling level indication for checking the remaining supply of staples and wire nails. The magazine can accommodate up to 100 staples of type 53 or 50 wire nails of type 47.

Device depiction




No.	Designation
1	Start lock
2	Trigger
3	Magazine release
4	Magazine filling level indicator
5	Orifice
6	Magazine slider
7	Wire nails
8	Staples

Scope of delivery

- 1 x Device PTNS 10-230V
- 400 x Staple, type 53, length: 10 mm, width: 11.4 mm
- 100 x Wire nail, type 47, length: 14 mm, width: 1.8 mm
- 1 x Manual

Technical data

Parameter	Value
Model	PTNS 10-230V
Mains connection	1/N/PE ~ 220 – 240 V / 50 Hz
Power input	45 W
Impact frequency	20 spm
Fastener type: staple	
Type	53
Length	6 – 14 mm
Width	11.4 mm
Thickness	0.74 mm
Fastener type: wire nail	
Type	47
Length	15 mm
Width	1.8 mm
Max. holding capacity of magazine	100 staples, 50 wire nails
Protection class	II / 
Plug type	CEE 7/17
Cable length	3 m
Weight	0.6 kg
Vibration information according to EN 60745	
Vibration emission value a_h	4.678 m/s ²
Uncertainty K	1.5 m/s ²
Sound values according to EN 60745	
Sound pressure level L_{pA}	73.82 dB(A)
Sound power L_{WA}	84.82 dB(A)
Uncertainty K	3 dB

Information on noise and vibration:

- The vibration level specified in these instructions was determined by means of a measuring method standardized in EN 60745 and can be used for a device comparison. The specified vibration emission value may also be used for a preliminary assessment of the exposure.



Caution

- Vibration emissions can cause a health hazard if the device is used for an extended period of time or if it is not properly handled and maintained.
- The vibration level will change depending on the application of the power tool and may in some cases differ from the value specified in these instructions. The vibration load may be underestimated if the power tool is used regularly in such a way. For a precise estimation of the vibration load during a certain work period, it is also important to consider the periods during which the device is switched off, or is running but not actually employed. This can reduce the vibration load over the entire work period significantly.



Wear hearing protection.

Excessive noise can lead to hearing loss.

Transport and storage

Note

If you store or transport the device improperly, the device may be damaged.

Note the information regarding transport and storage of the device.

Transport

Before transporting the device, observe the following:

- Switch off the device.
- Hold onto the mains plug while pulling the power cable out of the mains socket.
- Allow the device to cool down.

Storage

Before storing the device, observe the following:

- Switch off the device.
- Hold onto the mains plug while pulling the power cable out of the mains socket.
- Allow the device to cool down.
- Clean the device as described in the Maintenance chapter.

When the device is not being used, observe the following storage conditions:

- dry and protected from frost and heat
- ambient temperature below 40 °C
- protected from dust and direct sunlight

Start-up

Unpacking the device

- Take the device and the accessories out of the packaging.



Warning of electrical voltage

Electric shock from insufficient insulation.

Check the device for damages and proper functioning before each use.

If you notice damages, no longer use the device.

Do not use the device when the device or your hands are damp or wet!

- Check the scope of delivery for completeness and look for damages.



Warning

Risk of suffocation!

Do not leave the packaging lying around. Children may use it as a dangerous toy.

- Dispose of the packaging material according to the national regulations.

Filling the magazine



Warning of electrical voltage

Before any work on the device, remove the mains plug from the mains socket!

Hold onto the mains plug while pulling the power cable out of the mains socket.



Warning

Make sure that the device is switched off.

Make sure not to hold the device by the trigger when a staple or wire nail is jammed inside!

The trigger could be actuated by accident while removing a jammed staple or wire nail.



Wear safety glasses

Wear appropriate eye protection when working with the device.



Info

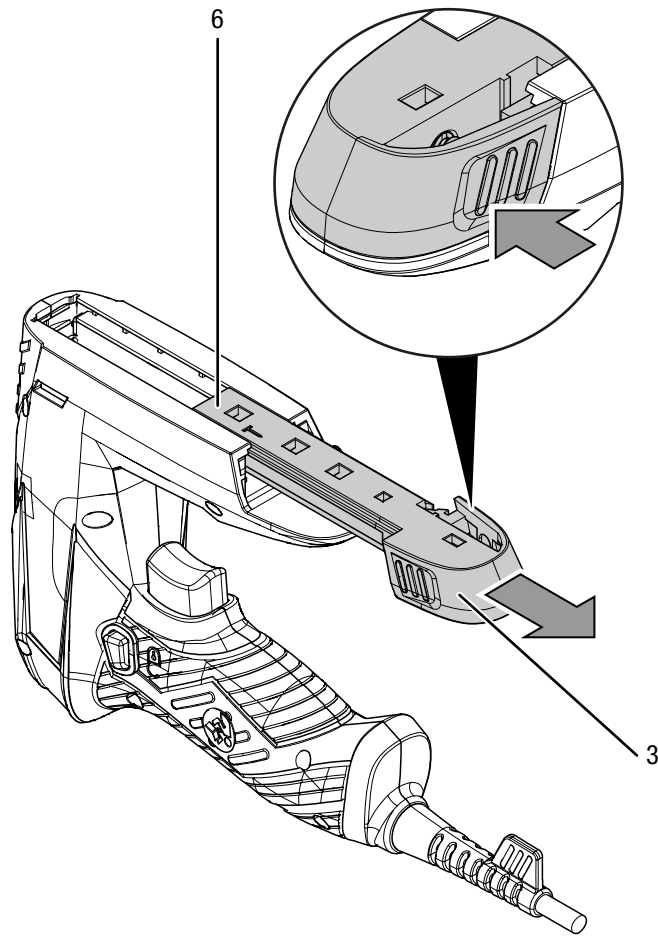
At the magazine filling level indicator you can check whether any staples or wire nails are left in the magazine.



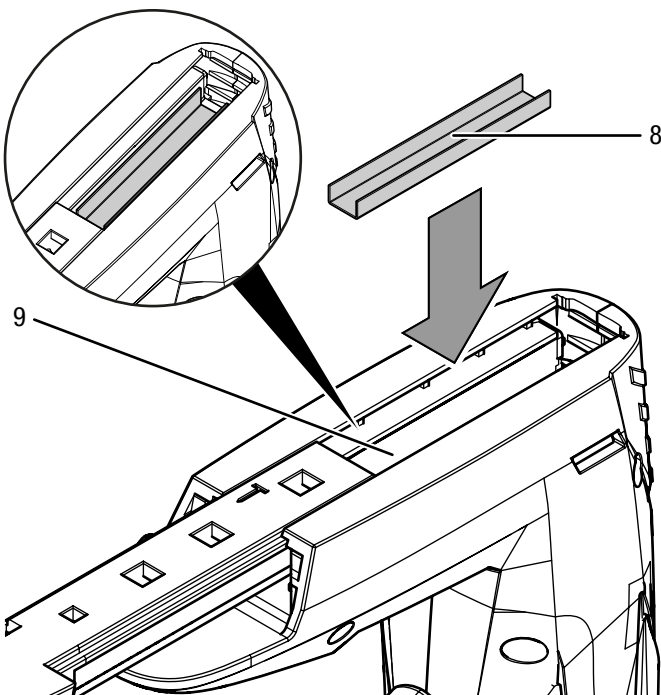
Info

Do not open or close the magazine by force (e.g. for filling).

1. Turn the bottom of the device up.
2. Squeeze the magazine release (3) together and pull the magazine slider (6) out towards the back.



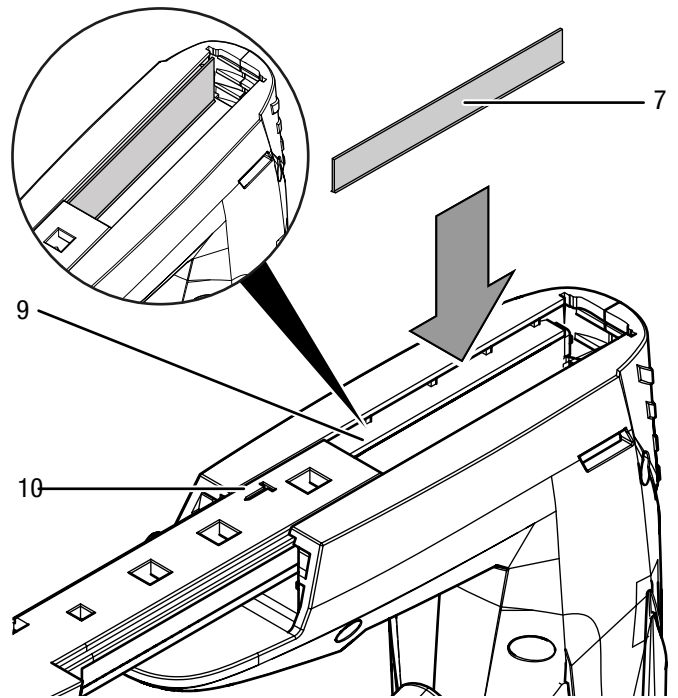
3. Insert the staples (8) in the magazine (9) with their tips pointing up.



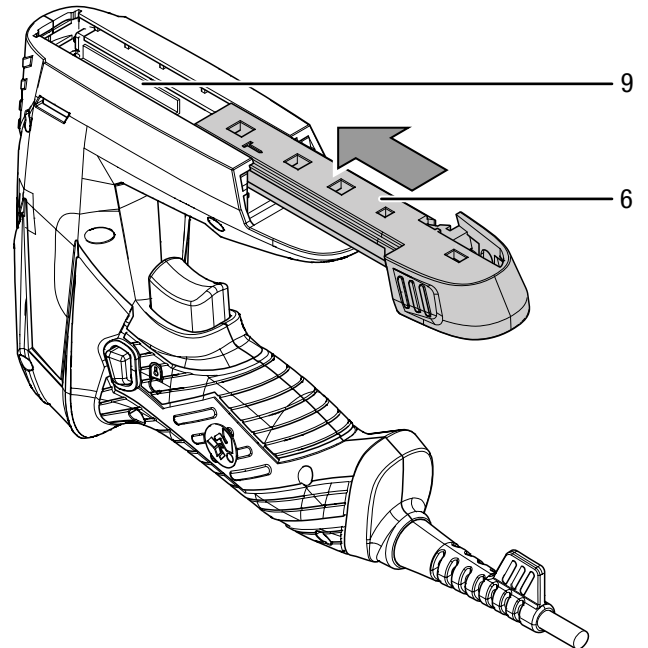
4. Alternatively, the magazine (9) can also be filled with wire nails (7) – insert them on the left-hand side. Observe the mark (10) on the left-hand side of the magazine slider that indicates the guiding groove for the wire nails. Insert the wire nails in the magazine with their heads pointing downwards.

Note

Wire nails can only be inserted as depicted: on the left-hand side of the magazine.



5. Slide the magazine slider (6) back down alongside the magazine (9) until it clicks into place.



Connecting the power cable

1. Insert the mains plug into a properly secured mains socket.

Operation

Tips and notes on handling the tacker



Warning of sharp object



Wire nails and staples are sharp. Risk of injuries if handled without due care!

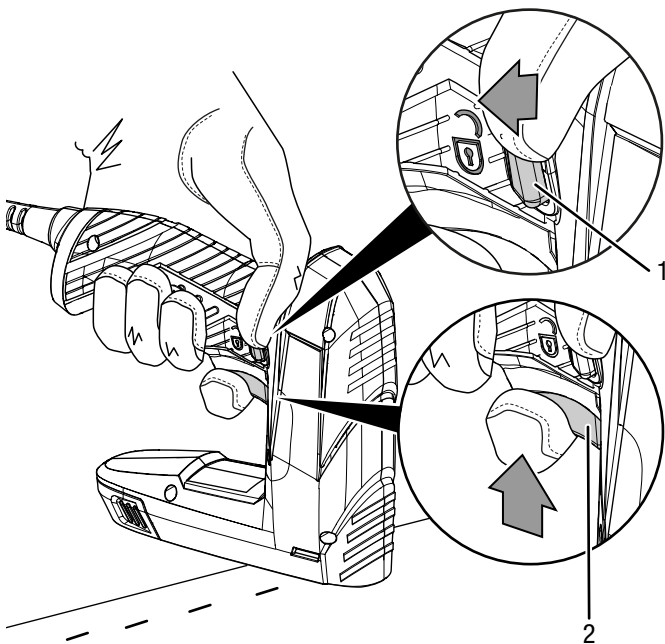
General information:

- Always apply the device to the workpiece firmly and at a right angle. Otherwise the staple or wire nail could be diverted sideways.
- Be careful when using the device on soft workpieces. Else the workpiece could be damaged.
- Observe the size of staples and wire nails as specified in the technical data.
- At the magazine filling level indicator you can check whether any staples or wire nails are left in the magazine.
- Make sure not to hold the device by the trigger when a staple or wire nail is jammed inside! The trigger could be actuated by accident while removing a jammed staple or wire nail.

Switching the device on and off

Wear your personal protective equipment when working with the device.

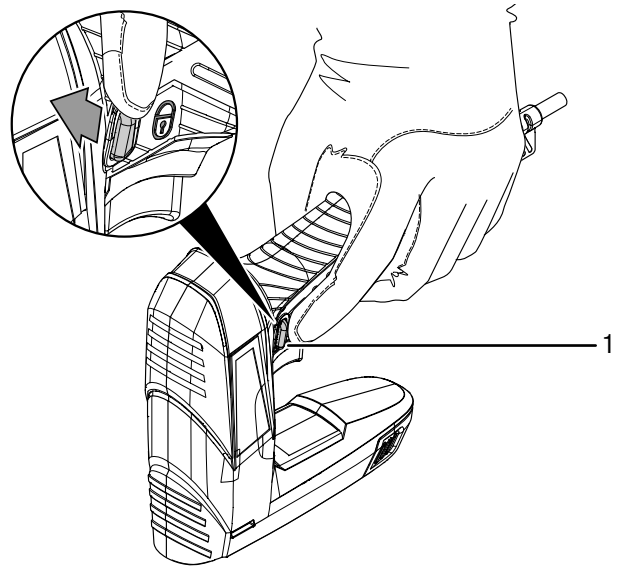
1. Put the device down on the respective spot you want to tack.
2. To release the start lock (1) push it through from the right-hand side of the device.
3. Pull the trigger (2).



⇒ The wire nail or staple is injected into the workpiece.

4. Having driven the staple or wire nail in all the way, release the trigger and withdraw the device from the workpiece.

5. To engage the start lock (1) again push it through from the left-hand side of the device. The start lock audibly clicks into place.



⇒ The device is secured against accidental firing.

Shutdown



Warning of electrical voltage

Do not touch the mains plug with wet or damp hands.

- Switch off the device.
- Hold onto the mains plug while pulling the power cable out of the mains socket.
- Clean the device according to the Maintenance chapter.
- Store the device according to the Storage chapter.

Errors and faults

The device has been checked for proper functioning several times during production. If malfunctions occur nonetheless, check the device according to the following list.

Troubleshooting tasks which require the housing to be opened must only be carried out by an authorized specialist electrical company or by Trotec.

Slight smoke or odour are emitted during first use:

- This is not a fault. These phenomena disappear after a brief runtime.

The device does not start:

- Check the power connection.
- Check the power cable and mains plug for damages.
- Check the on-site fusing.



Info

Wait for at least 10 minutes before switching the device back on.

A wire nail or staple is jammed in the device:



Warning

Ensure that the device is switched off.
Make sure not to hold the device by the trigger when a staple or wire nail is jammed inside!
The trigger could be actuated by accident while removing a jammed staple or wire nail.

- Open the magazine release and remove the wire nail or staple.

The device becomes hot:

- Make sure not to exert too much pressure on the device during operation.
- Keep the venting slots clear to prevent the motor from overheating.
- Wait for at least 10 minutes before switching the device back on.

Note

Wait for at least 3 minutes after maintenance and repair work. Only then switch the device back on.

Your device still does not operate correctly after these checks?

Please contact the customer service. If necessary, bring the device to an authorized specialist electrical company or to Trotec for repair.

Maintenance

Activities required before starting maintenance



Warning of electrical voltage

Do not touch the mains plug with wet or damp hands.

- Switch off the device.
- Hold onto the mains plug while pulling the power cable out of the mains socket.
- Allow the device to cool down completely.



Warning of electrical voltage

Maintenance tasks which require the housing to be opened must only be carried out by authorised specialist companies or by Trotec.

Notes on maintenance

Inside the device, there are no parts that need to be maintained or lubricated by the user.

Cleaning

The device should be cleaned before and after each use.

Note

The device does not have to be lubricated after cleaning.



Warning of electrical voltage

There is a risk of a short-circuit due to liquids penetrating the housing!

Do not immerse the device and the accessories in water. Make sure that no water or other liquids can enter the housing.

- Clean the device with a soft, damp and lint-free cloth. Make sure that no moisture enters the housing. Protect electrical components from moisture. Do not use any aggressive cleaning agents such as cleaning sprays, solvents, alcohol-based or abrasive cleaners to dampen the cloth.
- Dry the device with a soft, lint-free cloth.
- Keep the ventilation openings free from dust deposits to prevent overheating of the motor.

Disposal



The icon with the crossed-out waste bin on waste electrical or electronic equipment stipulates that this equipment must not be disposed of with the household waste at the end of its life. You will find collection points for free return of waste electrical and electronic equipment in your vicinity. The addresses can be obtained from your municipality or local administration. For further return options provided by us please refer to our website www.trotec24.com.

The separate collection of waste electrical and electronic equipment aims to enable the re-use, recycling and other forms of recovery of waste equipment as well as to prevent negative effects for the environment and human health caused by the disposal of hazardous substances potentially contained in the equipment.

Declaration of conformity

The text below sets out the contents of the declaration of conformity. The signed declaration of conformity can be found at <https://hub.trotec.com/?id=41136>.

Declaration of conformity

In accordance with the EC Machinery Directive 2006/42/EC, Annex II, part 1, Section A

Herewith, we – Trotec GmbH & Co. KG – declare that the machinery designated below was developed, constructed and produced in compliance with the requirements of the EC Machinery Directive in the version 2006/42/EC.

Product model / Product: PTNS 10-230V

Product type: tacker

Year of manufacture as of: 2017

Relevant EU directives:

- 2006/42/EC: 17/05/2006
- 2014/30/EU: 29 March 2014
- 2011/65/EU: 1 July 2011

Applied harmonised standards:

- EN ISO 12100:2010
- EN 60745-1:2009 + A11:2010
- EN 60745-2-16:2010

- EN 55014-1:2006/A1:2009
- EN 55014-1:2006/A2:2011
- EN 55014-2:1997/A1:2001
- EN 55014-2:1997/A2:2008
- EN 61000-3-2:2014
- EN 61000-3-3:2013

Applied national standards and technical specifications:

- AfPS GS 2014:01 PAK
- EN 55014-2:2015
- IEC 62321-4:2013
- IEC 62321-5:2013
- IEC 62321-6:2015
- IEC 62321-7-2:2017

Manufacturer and name of the authorised representative of the technical documentation:

Trotec GmbH & Co. KG

Grebber Straße 7, D-52525 Heinsberg

Phone: +49 2452 962-400

E-mail: info@trotec.de

Place and date of issue:

Heinsberg, 20/06/2017

Detlef von der Lieck, Managing Director

Trotec GmbH & Co. KG

Grebener Str. 7
D-52525 Heinsberg

☎ +49 2452 962-400

☎ +49 2452 962-200

✉ info@trotec.com

www.trotec.com