

CARBIDE

EN

SUPPLEMENTAL SHEET
HOLE SAW SET



Important notes

You can download the current version of the operating manual via the following link:



<https://hub.trotec.com/?id=44658>

Also observe the instructions for your tool, particularly the safety chapter.

Warning
 Risk of suffocation!
 Do not leave the packaging lying around. Children may use it as a dangerous toy.

Warning
 Do not process materials containing asbestos. Asbestos is considered carcinogenic.

Warning of hot surface
 The insertion tool might still be hot after the application. Burn hazard when touching the insertion tool.
 Do not touch the insertion tool bare-handed!
 Wear protective gloves!

Warning
 Toxic dusts!
 The harmful / toxic dusts produced during operation pose of risk to the health of the operator and persons in the vicinity.
 Wear eye protection and a dust mask!

Warning
 The tool holder must be firmly locked in place before switching the device on, for an insufficiently or incorrectly clamped accessory could be catapulted out of the tool holder uncontrollably upon switch-on.

Personal protective equipment

Wear hearing protection.
 Excessive noise can lead to hearing loss.

Wear eye protection.
 With it you protect your eyes from splintering, falling and flying pieces which could cause injuries.

Wear a protective mask.
 It saves you from inhaling harmful dusts generated when processing workpieces.

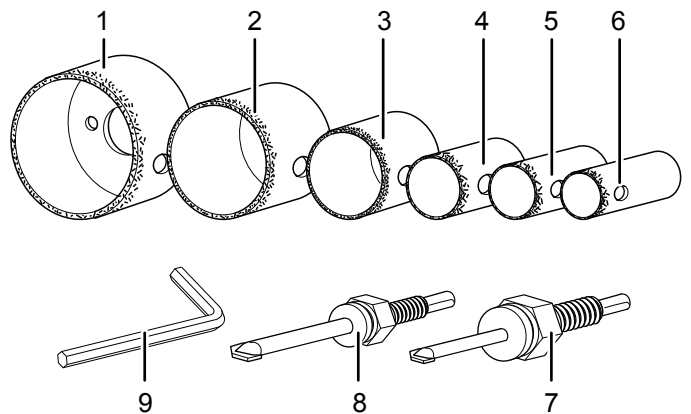
Wear protective gloves.
 They protect your hands from burns, crushing injuries and skin abrasions.

Product overview

Product description

The Carbide hole saw set is ideal for hole circle cuts with a cutting depth of up to 25 mm. It is particularly suitable for materials such as stone, tiles, concrete or plaster. The Carbide hole saw set is compatible with cordless drill drivers from a power with 16 V upwards and with drilling machines with a 10 mm or 13 mm drill chuck.

Product depiction



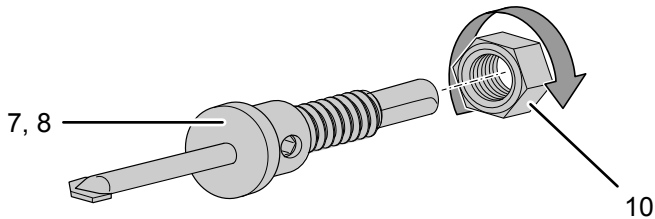
No.	Designation
1	Saw ring Ø 73 mm
2	Saw ring Ø 68 mm
3	Saw ring Ø 44 mm
4	Saw ring Ø 35 mm
5	Saw ring Ø 28 mm
6	Saw ring Ø 22 mm
7	13 mm hole saw holder with centre drill for Ø 35, 44, 68, 73 mm
8	10 mm hole saw holder with centre drill for Ø 22, 28 mm
9	Allen wrench

Operation

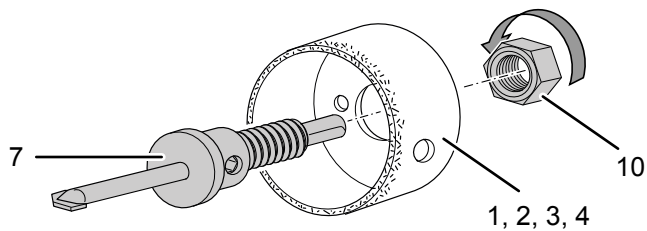
Choose the hole saw holder (10 mm or 13 mm shaft) suitable for the size of the used drill chuck. Then select a saw ring according to the desired activity and mount it on the hole saw holder as follows:

Mounting the saw ring

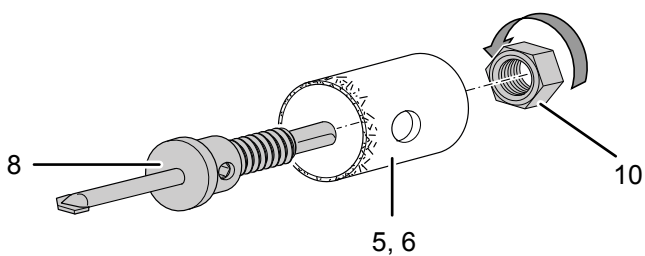
1. For saw rings (1-4), use the hole saw holder (7). For saw rings (5, 6), use the hole saw holder (8).
2. Unscrew the lock nut (10) from the hole saw holder (7, 8).



3. Slide the desired saw ring (1-6) on the hole saw holder (7, 8).
 ⇒ *Mounting the saw ring (1, 2, 3 or 4) to the hole saw holder (13 mm shaft)*



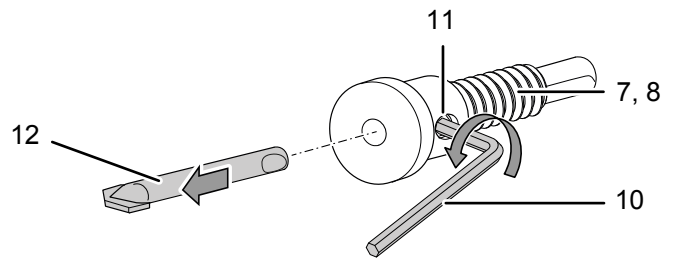
- ⇒ *Mounting the saw ring (5, 6) to the hole saw holder (10 mm shaft)*



4. Screw the lock nut (10) on the hole saw holder (7, 8) and tighten the lock nut.

Removing the centre drill from the hole saw holder

1. Using the supplied hexagonal wrench (9), remove the grub screw (11) from the hole saw holder (7, 8).



2. Then remove the centre drill (12) from the hole saw holder (7, 8).

Speed recommendations

Ø in mm	rpm	
	min.	max.
22	200	400
28	180	380
35	160	360
44	120	280
68	100	200
73	80	180

Disposal

Disposal in compliance with official regulations.

Trotec GmbH

Grebener Str. 7
D-52525 Heinsberg

☎ +49 2452 962-400

☎ +49 2452 962-200

✉ info@trotec.com

www.trotec.com